

Technical Data

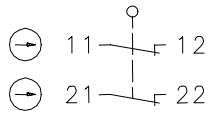
Plastic bodied limit switch

Series BI2

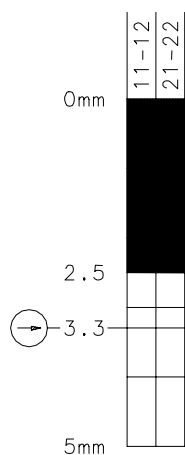
Description **BI2-A2Z RIWL**

Article number **6085817117**

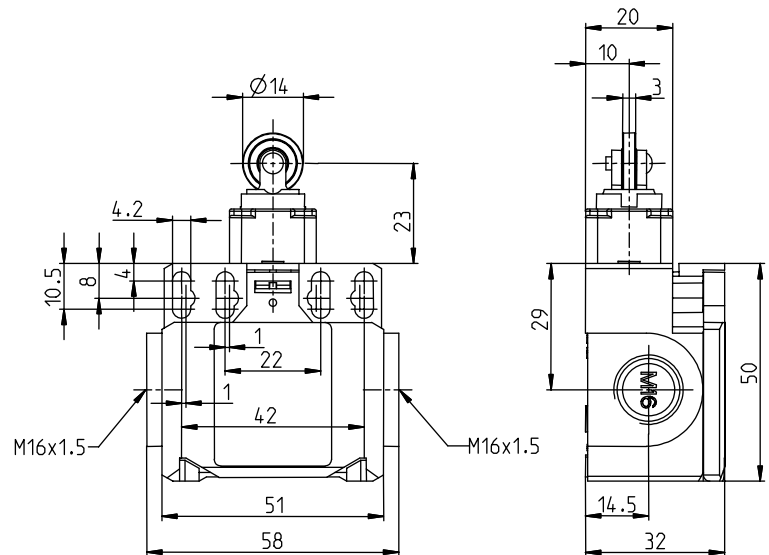
Operating symbol



Operating diagram

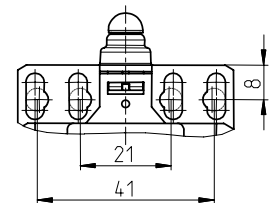


On
 Off
Tolerance:
 Operating point $\pm 0,25\text{mm}$;
 Actuating force $\pm 10\%$



Fixed positioning for safety applications

Mounting screw M5 according to DIN 912 or DIN EN ISO 4762



Electrical data

Rated insulation voltage	U_i	400V AC
Conv. thermal current	I_{the}	10A
Rated operational voltage	U_e	240V AC
Utilization category		AC-15, U_e/I_e 240V/3A
Direct opening action	\ominus	according to IEC/EN 60947-5-1, Annex K
Short-circuit protective device		Fuse 6A gL/gG
Protection class		II, totally insulated

This document will not become the contractual basis; the details included herein do not constitute any descriptions of expected conditions, so that warranties/claims for defects on account of possible variations of the actual qualities from the qualities described herein are explicitly excluded. All rights reserved. Specifications subject to change without notice!

Date of issue: 28.11.2005 / Page 1 of 2
 Document : 6085817117_en / Last update : 1 / 3003-05

Technical Data

Plastic bodied limit switch

Mechanical data

Enclosure	Thermoplastic, glass fibre reinforced
Cover	Thermoplastic, glass fibre reinforced
Actuator	Roller (thermoplastic)
Ambient air temperature	-30°C ... +80°C
Contact type	2 NC (Zb)
Mechanical life	1 x 10 ⁶ switching cycles
Switching frequency	≤ 100/min
Assembly	2 x M4 / 2 x M5 / 2 x M3 front mounting
Connection	4 screw connections (M3,5)
Conductor cross-sections	Solid: 0.5 ... 1.5mm ² Litz wire with ferrules: 0.5 ... 1.5mm ²
Cable entrance	2 x M16x1,5
Weight	≈ 0,09 kg
Installation position	Operator definable
Protection type	IP65 acc. to EN 60529; DIN VDE 0470 T1

Actuation

The actuating device is preferably started from 2 sides.

By loosening the 4 screws the actuation assembly can be rotated in 90 degree increments such that 4 actuation directions are possible.

The actuation assembly is to be again fastened to the housing using the 4 screws.

Standards

VDE 0660 T100, DIN EN 60947-1, IEC 60947-1
VDE 0660 T200, DIN EN 60947-5-1, IEC 60947-5-1

EU Conformity

CE

Approvals

cCSA_{US} A300, Q300

Notes

The degree of protection (IP code) specified applies solely to a property closed cover and the use of an equivalent cable gland with adequate cable.