



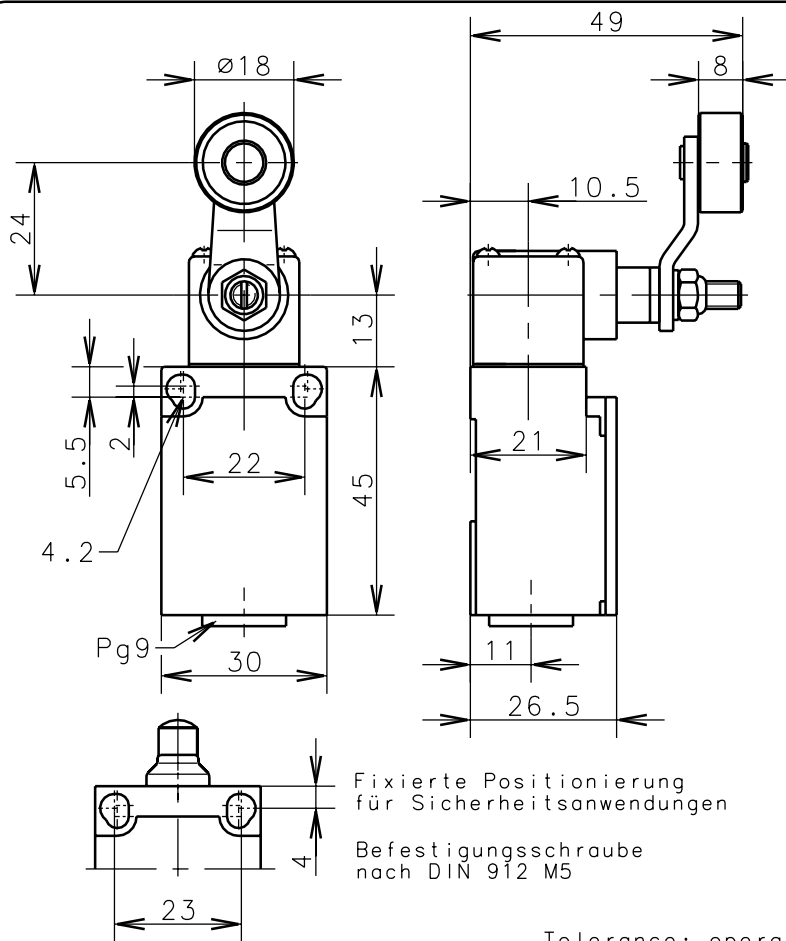
Bernstein

Bernstein AG
Postfach 1164
D-32437 Porta Westfalica

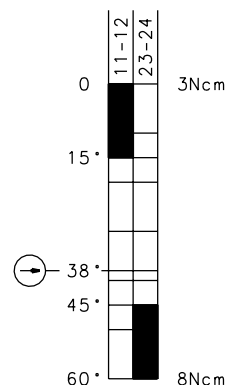
Technical data sheet

Ti-U1Z AH

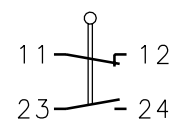
608.4135.517



Positive opening operation according to DIN EN 60947-5-1 IEC 947-5-1



Switching diagram



Switching symbol

Tolerance: operating point $\pm 3.5^\circ$; actuating torque $\pm 10\%$

Mechanical features

Enclosure:	Thermoplast, glass fiber reinforced
Cover:	Thermoplast, glass fiber reinforced
Actuator:	Turret head, Roller (Thermoplast)

Ambient air temperature:	-30°C up to +80°C
Contact type:	1 NC-contact, 1 NO-contact (Za)

Mechanical life:	3×10^6 switch operations
Switch frequency:	max. 100/min
Mounting:	2 x M4
Connection type:	4 screw connections (M3)
Cable entry size:	1 x Pg9
Weight:	approx. 0,09kg

Electrical features

Max. voltage:	400 V AC
Max. enduring current:	1 th 6A
Max. inrush current:	according to IEC 947-5-1; AC 15; DC 13
Standards:	according to EN 60204; EN 60947-1; EN 60947-5-1
Protection class (IP-Code):	IP65 according to EN 60529; DIN VDE 0470 T1
CSA:	6A 300V AC, B300 (same polarity)
Short circuit protection:	6A slow-acting, 10A quick-acting

Approach possibilities

By loosening 4 screws it is possible to turn the actuator through 90° so that 4 approach possibilities can be achieved.

Remarks

The moving parts should be oiled periodically.
The planned protection class (IP-Code) is valid only at closed cover and when using an at least equivalent cable gland.