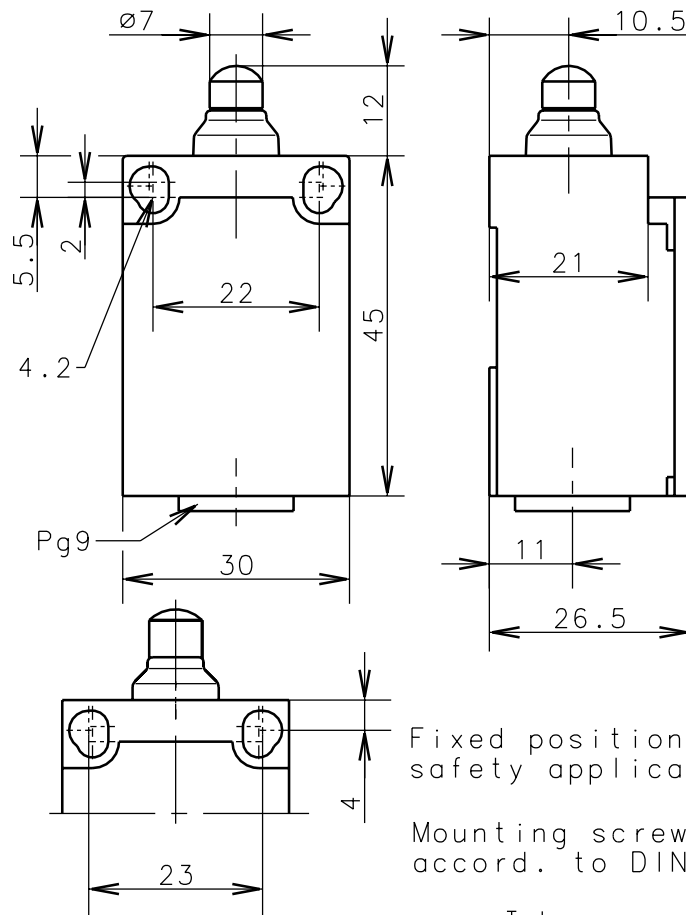
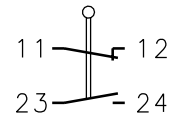
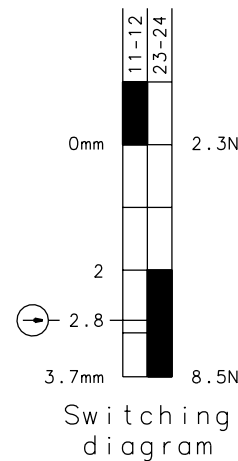


**Bernstein**Bernstein AG  
Postfach 1164  
D-32437 Porta Westfalica

# Technical data sheet

Ti-U1Z w

608.4103.501

Positive opening  
operation according  
to DIN EN 60947-5-1  
IEC 947-5-1Switching  
symbolFixed positioning for  
safety applicationsMounting screw  
accord. to DIN 912 M5Tolerance: operating point  $\pm 0.25\text{mm}$ ; actuating force  $\pm 10\%$ 

## Mechanical features

Enclosure: Thermoplast, glass fiber reinforced  
 Cover: Thermoplast, glass fiber reinforced  
 Actuator: Push bolt (Thermoplast)

Ambient air temperature:  $-30^\circ\text{C}$  up to  $+80^\circ\text{C}$   
 Contact type: 1 NC-contact, 1 NO-contact (Za)

Mechanical life:  $3 \times 10^6$  switch operations  
 Switch frequency: max. 100/min  
 Mounting: 2 x M4  
 Connection type: 4 screw connections (M3)  
 Cable entry size: 1 x Pg9  
 Weight: approx. 0,04kg

## Electrical features

Max. voltage: 400 V AC  
 Max. enduring current: 1 th 6A  
 Max. inrush current: according to IEC 947-5-1; AC 15; DC 13  
 Standards: according to EN 60204; EN 60947-1; EN 60947-5-1  
 Protection class (IP-Code): IP65 according to EN 60529; DIN VDE 0470 T1  
 CSA: 6A 300V AC, B300 (same polarity)  
 Short circuit protection: 6A slow-acting, 10A quick-acting

## Approach possibilities

The push bolt actuator is mainly intended to be actuated along its axis.  
 Side actuation will considerably reduce switch life.

## Remarks

The moving parts should be oiled periodically.  
 The planned protection class (IP-Code) is valid only at closed cover  
 and when using an at least equivalent cable gland.

Copies are not retreated in case of alternations