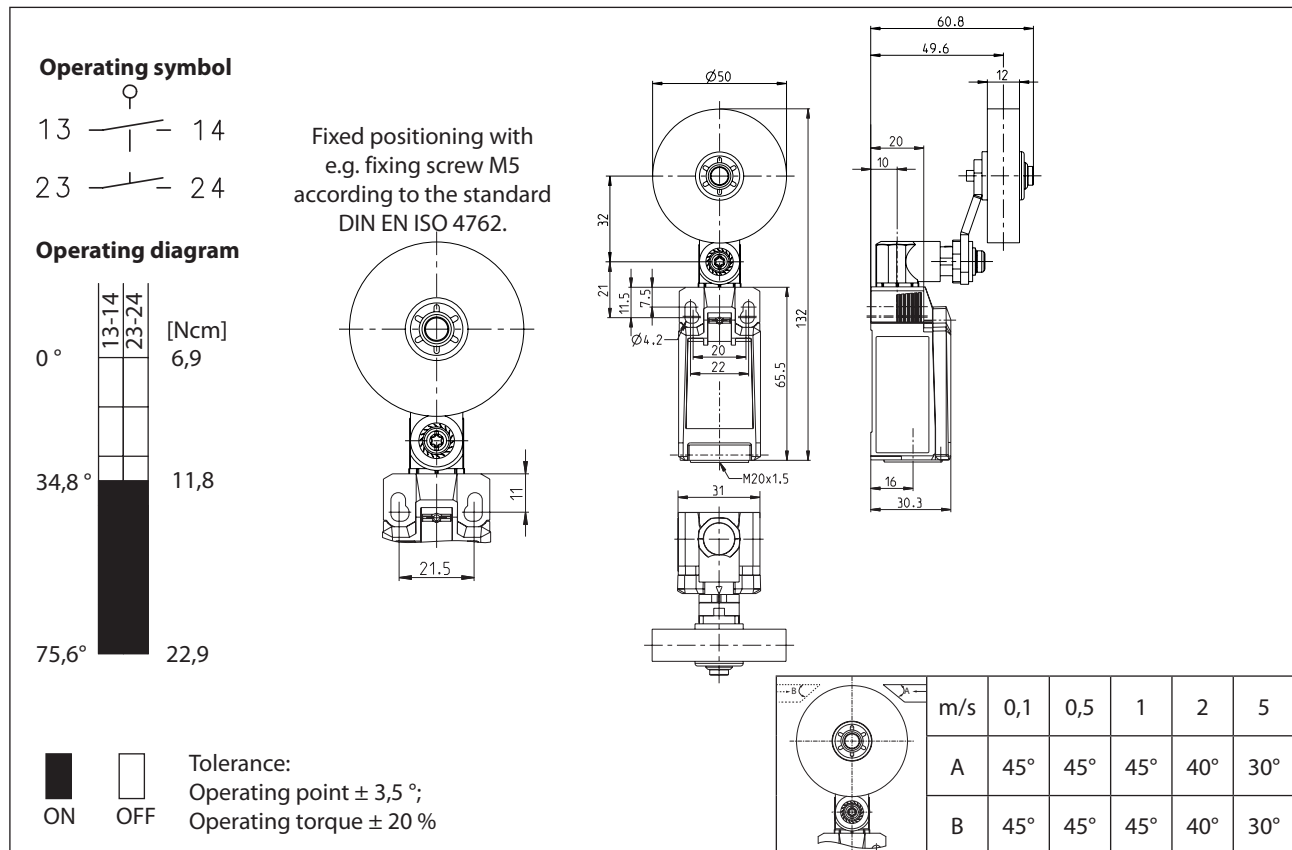


## Plastic bodied limit switch Series IN65

Description **IN65-E2 AHSGU R050**

Article number **6083000298**



Electrical Data	
Rated insulation voltage	$U_i$ 400 V AC
Rated impulse withstand voltage	$U_{imp}$ 4 kV
Rated operational voltage	$U_e$ 240 V
Rated supply frequency AC	50 / 60 Hz
Overvoltage category	II acc. EN 60947-1 annex H table H1
Conv. thermal current	$I_{the}$ 5 A
Minimum current	1 mA
Utilization category	AC 15, $U_e/I_e$ 240 V / 3 A DC 13, $U_e/I_e$ 24 V / 4 A
Short-circuit protective device	Fuse 4 A gG
Rated conditional short-circuit current	400 A
Max. contact resistance	25 mOhm (unused)

Mechanical data	
Enclosure	Thermoplastic, glass fibre reinforced (UL 94-V0)
Cover	Thermoplastic, glass fibre reinforced (UL 94-V0)
Actuator	Metal lever with plastic roller / lever in 15 ° increments adjustable
Actuating force	$F_B$ 10 N $\leq F_B \leq$ 30 N
Operating temperature	-30 °C ... +75 °C
Storage temperature	-40 °C ... +80 °C
Protection type	IP66 / IP67 acc. EN 60529
Pollution degree (built-in switch)	3
Contact material	silver
Device Class (built-in switch)	Category E (MC3+CC2+SC1) acc. EN 60947-1 annex Q
Contact type	2 N.O. (Form Zb)
Operating rate	$V$ 0,06 m/min $\leq V \leq$ 30 m/min
Bounce duration	ms The value depends on the operating rate.
Switchover time	ms The value depends on the operating rate.
Switching frequency	$\leq$ 60 / min.
Mechanical life	10 x 10 <sup>6</sup> operating cycles
Mission time	$\leq$ 20 years
Connection	4 screw connections (M3)
Conductor cross-sections	Solid or Litz wire with ferrules 0,34 mm <sup>2</sup> - 1,5 mm <sup>2</sup> ; AWG 22-16
Cable entrance	1 x M20 x1,5
Weight	$\approx$ 0,16 kg
Installation position	operator definable

Actuation
<p>The actuating device is preferably started from 2 sides.                      By lifting the clamp the actuation assembly can be rotated in 45° increments such that 16 actuation directions are possible.                      The actuation assembly is to be again fastened to the housing by lowering the clamp.</p>

Standards
VDE 0660 T200, DIN EN 60947-5-1, IEC 60947-5-1
UL 508 / CSA C22.2 No.14

EU Conformity
acc. to directive 2014/35/EU (Low-Voltage-Directive)

Approvals
CCC (AC 15, $U_e/I_e$ 240 V / 1,5 A; DC 13, $U_e/I_e$ 24 V / 1,5 A)
cCSA <sub>US</sub> B300, 240Vac 1.5A G.P., 24Vdc 1.5A R. Enclosure Type 4X

Notes
The degree of protection (IP code) specified applies solely to a property closed cover and the use of an equivalent cable gland with adequate cable.