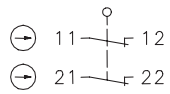


**Plastic bodied limit switch**  
Series ENK

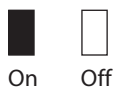
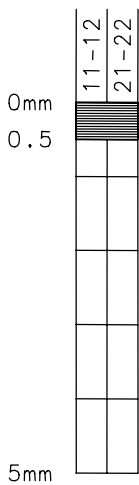
Description **ENK-A2 O.BETG.**

Article number **6081800275**

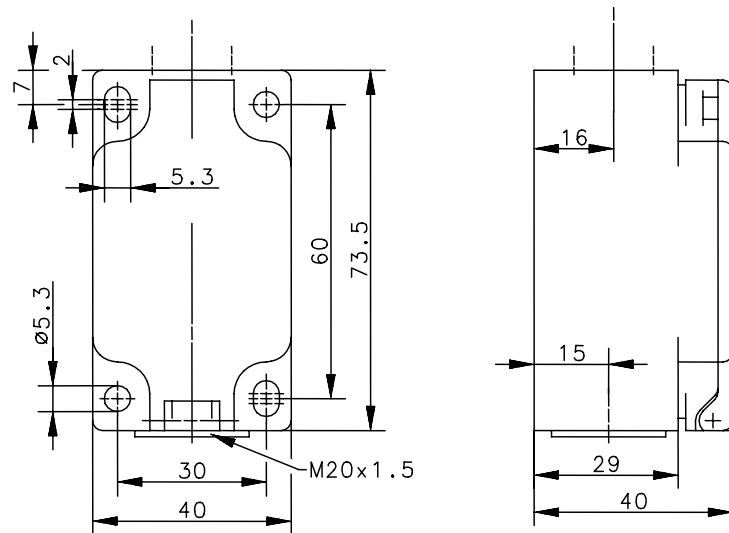
**Operating symbol**



**Operating diagram**



Tolerance:  
Operating Point  $\pm 0,25$  mm



**Electrical Data**

|                                 |           |                                |
|---------------------------------|-----------|--------------------------------|
| Rated insulation voltage        | $U_i$     | 400 V AC                       |
| Conv. thermal current           | $I_{the}$ | 5 A                            |
| Rated operational voltage       | $U_e$     | 240 V                          |
| Utilization category            |           | AC-15, $U_e/I_e$ 240 V / 1,5 A |
| Short-circuit protective device |           | Fuse 6 A gG                    |
| Protection class                |           | II, totally insulated          |

| Mechanical data          |   |
|--------------------------|---|
| Enclosure                | Thermoplastic, glass fibre reinforced   |
| Cover                    | Thermoplastic, glass fibre reinforced   |
| Actuator                 | without   |
| Ambient air temperature  | -30 °C ... +80 °C   |
| Contact type             | 2 NC (Zb)   |
| Mechanical life          | 1 x 10 <sup>6</sup> operating cycles  |
| Switching frequency      | ≤ 100 / min.  |
| Assembly                 | 4 x M5  |
| Connection               | 4 screw connections (M3)  |
| Conductor cross-sections | Solid: 0,5 ... 1,5 mm <sup>2</sup> or<br>Litz wire with ferrules: 0,5 ... 1,5 mm <sup>2</sup> |
| Cable entrance           | 1 x M20 x 1,5   |
| Weight                   | ≈ 0,09 kg   |
| Installation position    | operator definable  |
| Protection type          | IP20 acc. to EN 60529   |

| ID for safety engineering |                            |
|---------------------------|----------------------------|
| B10d                      | 2 x 10 <sup>6</sup> cycles |

| Standards |  |
|-----------|--|
|           | VDE 0660 T100, DIN EN 60947-1, IEC 60947-1     |
|           | VDE 0660 T200, DIN EN 60947-5-1, IEC 60947-5-1 |
|           | DIN EN ISO 13849-1                             |

| EU Conformity |  |
|---------------|--|
|               | acc. to directive 2014/35/EU (Low-Voltage-Directive) |

| Approvals |     |
|-----------|-----|
|           | CCC |