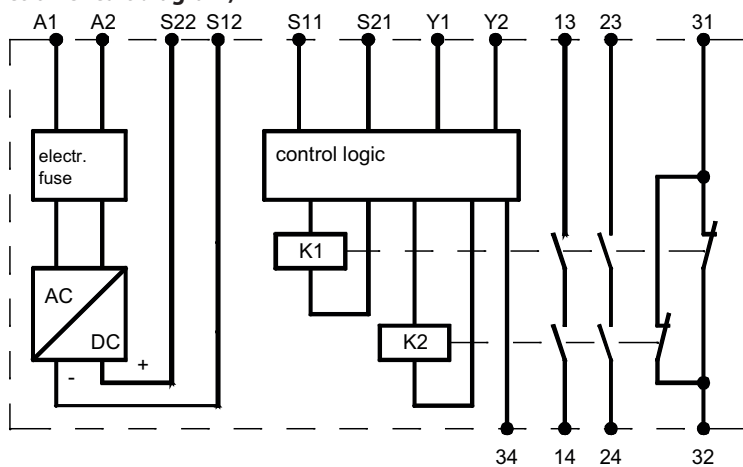


Safety Relay Combination Series SCR

Description **SCR 4-W22-2.6-D2H**

Article number **6075111018**

Assembly and function (function circuit diagram)



13-14, 23-24 safety circuits (N.O.)
31-32 auxiliary outputs for signaling (N.C.)

Electrical Data

Supply voltage	U_e	24 V AC/DC
Voltage range		AC 0,85 ... 1,1 U_B , DC 0,9 ... 1,1 U_B
Frequency		50 ... 60 Hz
Power consumption appr.		2 VA

Conductor data

conductor connection	2 x 1,5 mm ² solid wire 2 x 1,0 mm ² strand with wire end ferrule DIN VDE 46228
Max. conductor length (input circuit)	4 x 150 m
Conductor cross-section	4 x 1,5 mm ²
Capacity	150 nF/km
Resistance	$\Sigma < 8 \text{ Ohm}$

Contact data	
Contact configuration	2 N.O. contacts / 1 N.C. contact
Contact type	Relay forcibly guided contacts
Contact material	AgSnO ₂ +0,2 µm Au or comparable material
Switching voltage	230 V AC, 24 V DC
Switching current	6 A AC, 6 A DC
Utilization category (DIN EN 60947-5-1)	AC 15 230 V / 5 A; DC 13 24 V / 6 A
Max. switching capacity	1500 VA (ohms load)
Mechanical life	10 ⁷ operations
Electrical life	10 ⁵ operations (DC 24V/2A)
Creepage and clearance distances (DIN VDE 0160)	at pollution grade 2
	Basis insulation: voltage category 3 Protective separation: voltage category 2
Contact protection	6,3 A brisk or 4 A inert DIN VDE 0660 part 200
Delay on deenergisation K1	< 30 ms
Coincidence time for the two hand control	0,5 s

PLC-output	
voltage	>18 V DC
External load	Rext>=2,4 kOhm

Mechanical data	
Enclosure material	Polyamide PA 6.6
Dimensions (W x H x D) in mm	22,5 x 114,5 x 99
Mounting	Click-fastening for DIN-Rail

Environmental data	
Operating temperature range	-25 °C ... +55 °C (UL +40 °C)
Air humidity	Swap climate, 95 %, 0 ... +50 °C
Degree of protection, terminals	IP 20 DIN VDE 0470 part 1
Degree of protection, enclosure	IP 40 DIN VDE 0470 part 1
Shock resistance N.O./N.C. contacts	5 g, 33 Hz VDE 0160

EU Conformity	
	acc. to directive 2006/42/EG (Safety-of-Machinery-Directive)
	acc. to directive 2014/30/EU (EMC-Directive)

Approvals	
	TÜV type tested
	cUL US

Certifications	
Tested in accordance with	EN ISO 13849-1
Achieved level/category	Performance Level e , Kat.4
MTTFd [years]	36,45 "high"
DC	99 % "high"
CCF	achieved