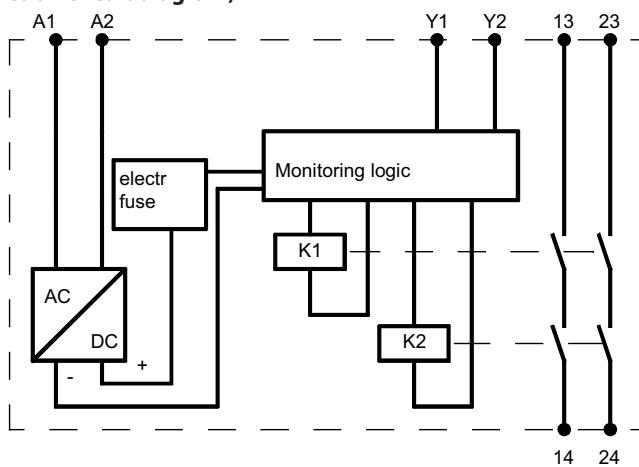


## Safety Relay Combination Series SCR

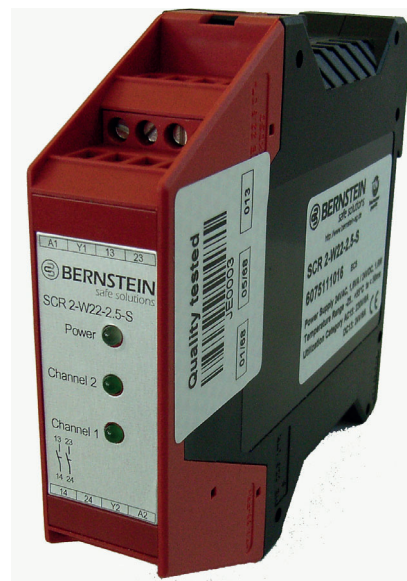
Description **SCR 2-W22-2.5**

Article number **6075111015**

### Assembly and function (function circuit diagram)



13-14, 23-24 safety circuits (normally open)



### Electrical Data

Supply voltage	$U_e$	24 V AC/DC
Voltage range		0,85 ... 1,1 $U_B$
Frequency		50 ... 60 Hz
Power consumption appr.		24 V DC: 1,6 W, 24 V AC: 1,6 VA

### Conductor data

conductor connection	2,5 (2 x 0,75) mm <sup>2</sup> solid wire 2,5 (2 x 0,75) mm <sup>2</sup> strand with wire end ferrule DIN VDE 46228
Max. conductor length (input circuit)	2 x 0,5 km (single channel), 2 x 2 x 0,25 km (dual channel)
Conductor cross-section	1,5 mm <sup>2</sup>
Capacity	150 nF/km
Resistance	11,7 Ohm/km

<b>Contact data</b>	
Contact configuration	2 N.O. contacts
Contact type	Relay forcibly guided contacts
Contact material	AgSnO <sub>2</sub> flash gold or comparable material
Switching voltage	250 V AC, 24 V DC
Switching current	6 A
Utilization category (DIN EN 60947-5-1)	AC 15 230 V / 3 A; DC 13 24 V / 3 A
Max. switching capacity	1500 VA (ohms load)
Mechanical life	10 <sup>6</sup> operations
Creepage and clearance distances (DIN VDE 0160)	at pollution grade 2, Voltage category 3 / 300 V
Contact protection	6,3 A fast acting or 4 A slow acting DIN VDE 0660 Teil 200
Delay on deenergisation K1	< 50 ms (DC) / < 80 ms (AC)

<b>Mechanical data</b>	
Enclosure material	Polyamide PA 6.6
Dimensions ( W x H x D ) in mm	22,5 x 114,5 x 99
Mounting	Click-fastening for DIN-Rail

<b>Environmental data</b>	
Operating temperature range	-25 °C ... +55 °C
Air humidity	95 %, 0 ... +50 °C
Degree of protection, terminals	IP 20 DIN VDE 0470 part 1
Degree of protection, enclosure	IP 40 DIN VDE 0470 part 1
Shock resistance N.O./N.C. contacts	10 g / 2 g, 33 Hz VDE 0160

<b>EU Conformity</b>	
	acc. to directive 2006/42/EG (Safety-of-Machinery-Directive)
	acc. to directive 2014/30/EU (EMC-Directive)

<b>Approvals</b>	
	TÜV type tested

<b>Certifications</b>	
Tested in accordance with	EN ISO 13849-1
Achieved level/category	Performance Level e , Kat.3
MTTFd [years]	71 "high"
DC	90 % "high"
CCF	achieved