

Technical Data

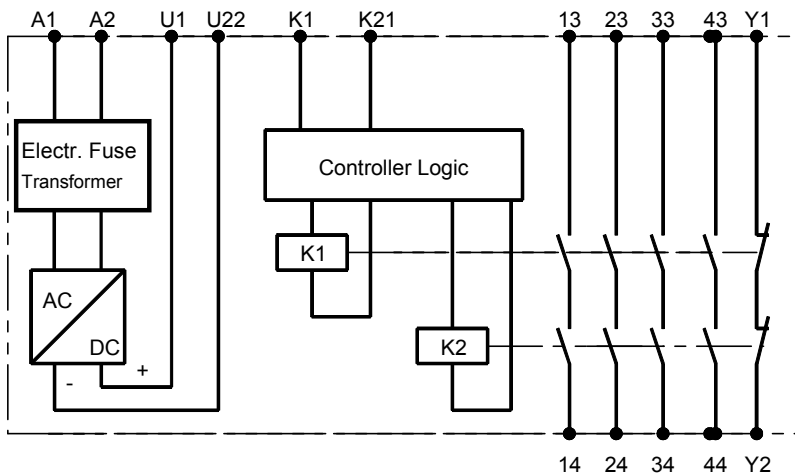
Safety Relay Combination

Series SCR

Description **SCR 4-W22-4.6-DXT**

Article number **6075111012**

Assembly and function
(function circuit diagram)



13-14, 23-24, 33-34, 43-44
safety circuits (normally open)

Y1-Y2
feed back circuit



Electrical data

Supply voltage	U_e	24V AC/DC (electronic fuse protection)
Voltage range		0,85 ... 1,1 U_e
Frequency		50 ... 60 Hz
Power consumption appr.		4 VA

Conductor data

conductor connection	1 x 2,5 mm ² solid wire 2 x 1,5 mm ² strand with wire end ferrule DIN VDE 46228
Max. conductor length (input circuit)	150m
Conductor cross-section	2 x 1,5 mm ²

This document will not become the contractual basis; the details included herein do not constitute any descriptions of expected conditions, so that warranties/claims for defects on account of possible variations of the actual qualities from the qualities described herein are explicitly excluded. All rights reserved. Specifications subject to change without notice!

Date of issue: 31.05.2005 / Page 1 of 2
Document: 6075111012_en / Status: 1 / 2360-05

Technical Data

Safety Relay Combination

Contact data

Contact configuration	4 N.O. contacts / 1 N.C. contact (feed back circuit)
Contact type	Relay forcibly guided
Contact material	AgSnO ₂
Switching voltage	250V AC, 24V DC
Switching current	6A
Max. sum of switching current	16A
Max. switching capacity	2000 VA (ohms load)
Mechanical life	10 ⁷ operations
Electrical life	10 ⁵ operations
Creepage and clearance distances (DIN VDE 0160)	at pollution grade 2 Voltage category 3 / 250 V
Contact protection	10A brisk DIN VDE 0660 part 200
Voltage on U1	24V DC

Mechanical data

Enclosure material	Polyamide PA 6.6
Dimensions (W x H x D)	22,5 x 114,5 x 99
Mounting	Click-fastening for DIN-Rail

Environmental data

Operating temperature range	-25°C ... +55°C
Air humidity	Swap climate, 95%, 0 ... +50°C
Degree of protection, terminals	IP 20 DIN VDE 0470 part 1
Degree of protection, enclosure	IP 40 DIN VDE 0470 part 1
Shock resistance	5g, 33 Hz VDE 0160

CE - Conformity

CE

Approvals

TÜV
UL
C-UL

This document will not become the contractual basis; the details included herein do not constitute any descriptions of expected conditions, so that warranties/claims for defects on account of possible variations of the actual qualities from the qualities described herein are explicitly excluded. All rights reserved. Specifications subject to change without notice!

Date of issue: 31.05.2005 / Page 2 of 2
Document: 6075111012_en / Status: 1 / 2360-05