

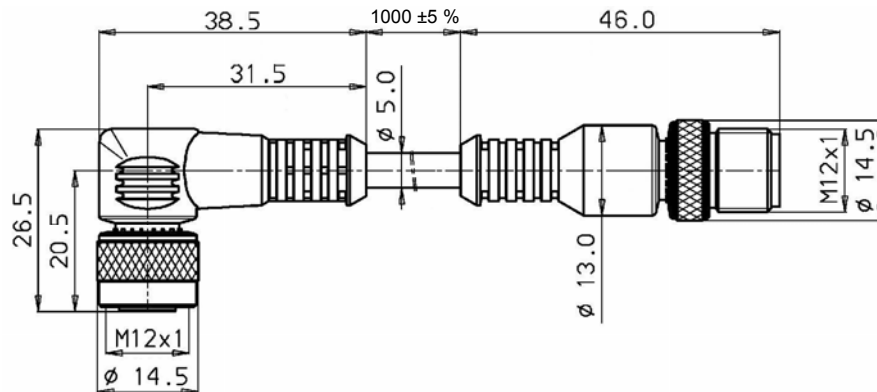
Technical Data

Cable connector

Accessories - ASI

Description **ASI VERBINDUNGSL.M12 1M G/W**

Article number **6073900049**



Electrical data

Rated voltage	IEC 60664-1	250 V
Rated impulse withstand voltage	IEC 60 664-1	2 kV
Test voltage	IEC 60512-2 Test 4a	1,4 kV
Rated current (TU = 40°C)	IEC 60512-3 Test 5b	4A
Contact resistance	IEC 60512-2 Test 2a	≤ 3 mΩ
Insulation resistance	IEC 60512-2 Test 3a	≥ 10 ⁸ Ω

Mechanical Data

Number of contacts	DIN EN 61076-2-101	4
Pollution degree	IEC 60 664-1	3
IP-degree of protection	IEC 60 529	IP68 (1,8 bar – 24 h), in fully locked position with it's plugs
Temperature range (unmovable condition)		-25 °C ... +85 °C
Mechanical life	IEC 60512-5 Test 9a	> 100 cycle of connector operation
Materials	male contacts	CuZn
	female contacts	CuSn
	contacts plating	AU
	Housing cable	PUR
	Cable outer jacket	PUR
Lead		0,34 mm ²
Connection method		Screw connect

This document will not become the contractual basis; the details included herein do not constitute any descriptions of expected conditions, so that warranties/claims for defects on account of possible variations of the actual qualities from the qualities described herein are explicitly excluded. All rights reserved. Specifications subject to change without notice!

Date of issue: 07.09.2011 / Page 1 of 1
Document : 6073900049_en.doc / Last update : 1 / 2481-11