

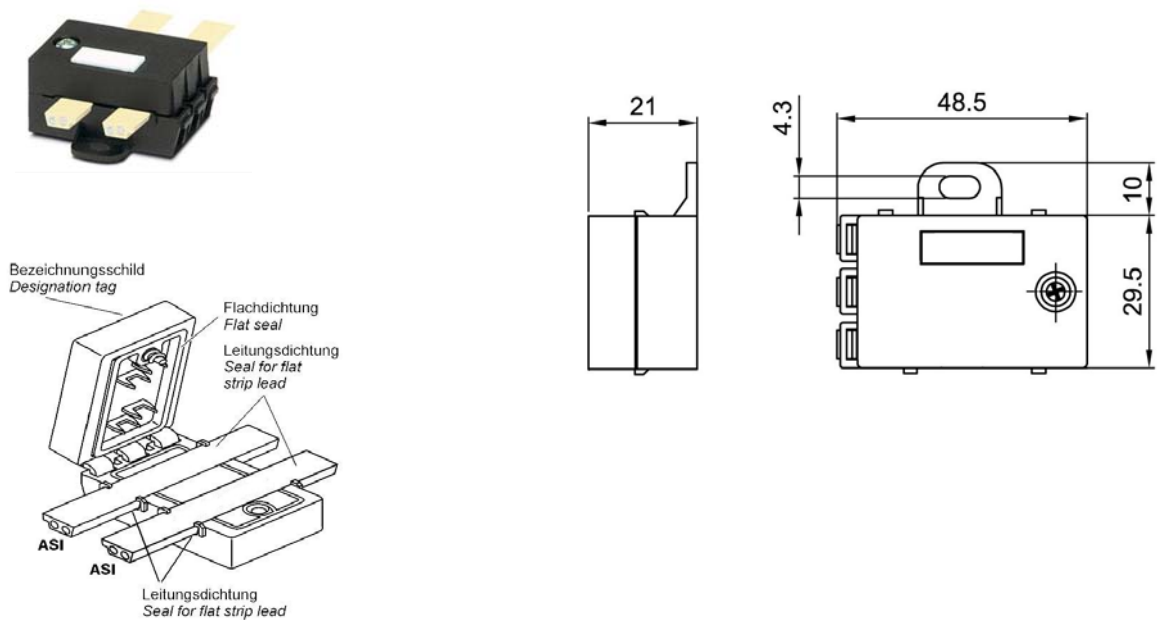
Technical Data

Miniature coupler module

Accessories - ASI

Description **ASI KABELBRÜCKE**

Article number **6073900047**



Electrical data

Operating voltage	≤ 40 V
Operating current	≤ 4 A

Mechanical data

Housing	PA 6-GF-FR
Conductor type	AS-Interface® ribbon cable
Number of connectable	2
Litz wire cross-section	1,5 mm ²
Connection	Penetration technology / screws
Protection class	IP67 acc. to DIN 40050
Degree of siling	3 acc. to DIN EN 0110
Ambient temperature	-25 °C ... +75 °C
Storage temperature	-40 °C ... +85 °C
Shock stress	30 g / 11 ms
Vibration stress	10 ... 55 Hz; 1,00 mm amplitude
Weight	≈ 50 g

This document will not become the contractual basis; the details included herein do not constitute any descriptions of expected conditions, so that warranties/claims for defects on account of possible variations of the actual qualities from the qualities described herein are explicitly excluded. All rights reserved. Specifications subject to change without notice!

Date of issue: 07.09.2011 / Page 1 of 1
 Document : 6073900047_en.doc / Last update : 1 / 2481-11