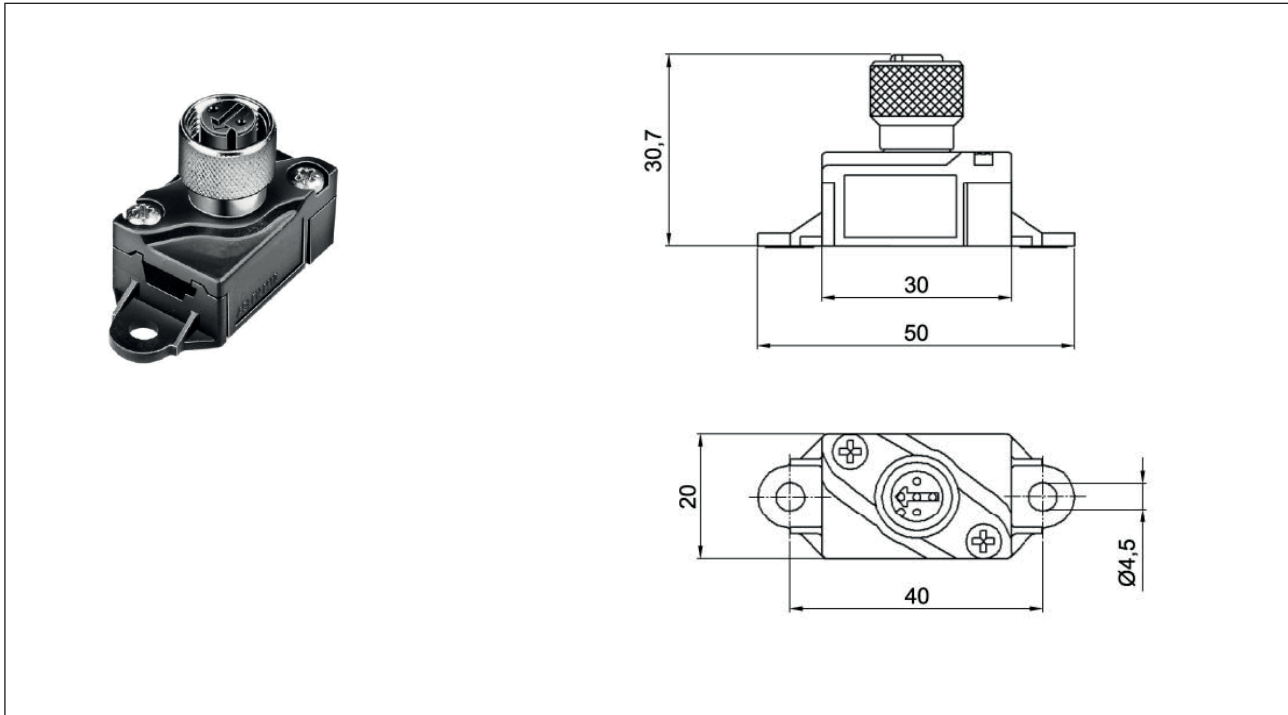


**Accessories - ASI**  
Miniature coupler module

Description **ASI KOPPELMOD M12 SCHR.**

Article number **6073900042**



**Electrical data**

Operating voltage	≤ 40 V
Operating current	≤ 2 A

**Mechanical data**

Housing	PA 6-GF-FR
Conductor type	AS-Interface® ribbon cable
Number of connectable	1
Litz wire cross-section	1,5 mm <sup>2</sup>
Connection	Penetration technology / screws
Connection of sensors / actuators	Circular connector M12; socket
User connection	acc. to IEC 947-5-2
Protection class	IP67 acc. to DIN 40050
Degree of siling	3 acc. to DIN EN 0110
Ambient temperature	-25 °C bis +70 °C
Storage temperature	-40 °C bis +80 °C
Shock stress	30 g / 11 ms
Vibration stress	10 ... 55 Hz; 1,00 mm amplitude
Weight	≈ 15 g