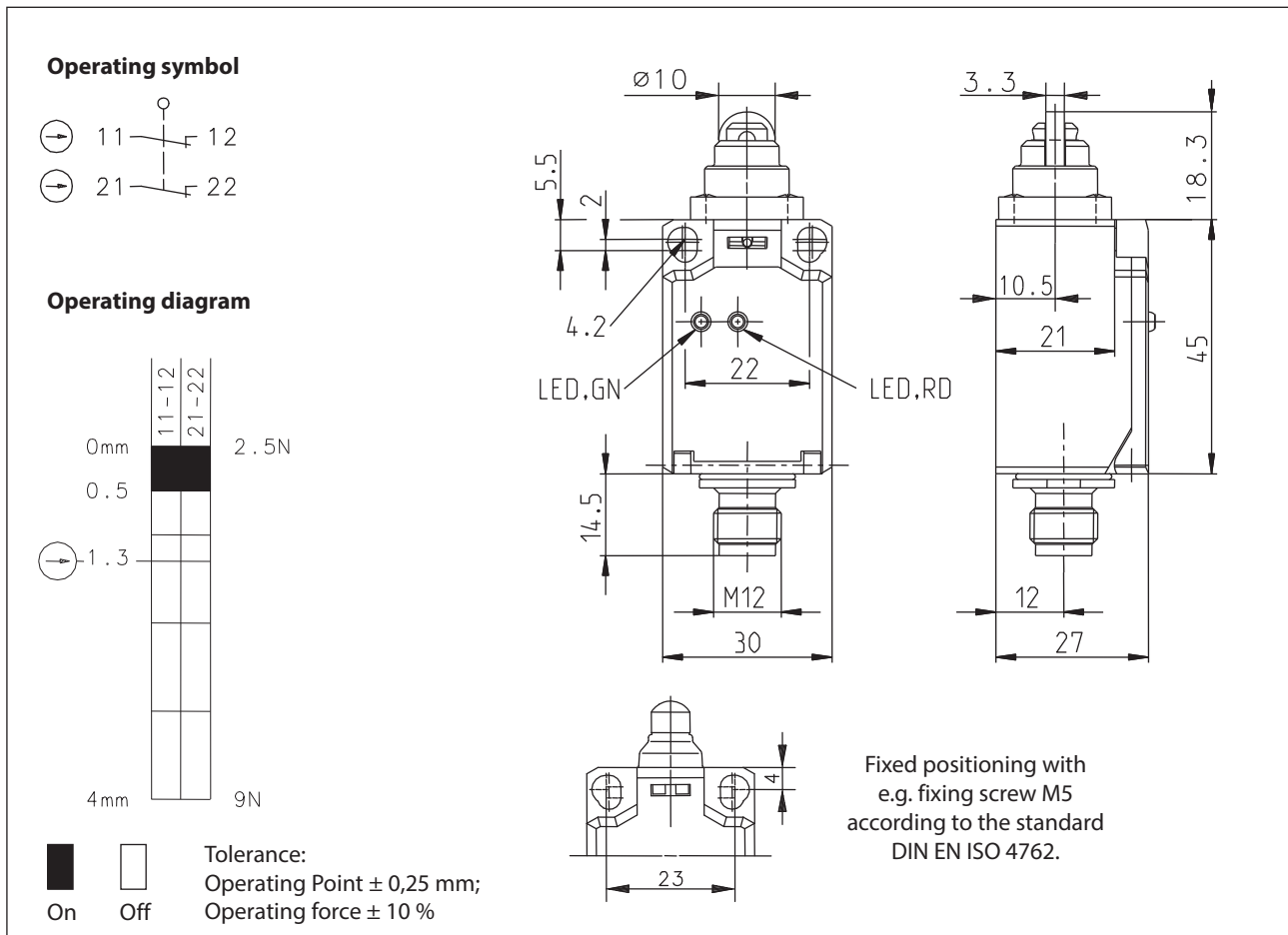


Plastic bodied limit switch

Series TI2-ASI

Description **ASI Ti2 Riw**

Article number **6073402019**



Electrical data	
Operating voltage	U 18 ... 31,6 V; via AS-interface, reverse-polarity proof
Operating current	I < 40 mA
AS-i Specifications	Profile S-0.B IO-Code: 0x0 ID-Code: 0xB ID-Code1: 0xF ID-Code2: 0xE
AS-i Inputs	Contact 1: Data bits D0/D1 = static 00 or dynamic code transmission Contact 2: Data bits D2/D3 = static 00 or dynamic code transmission
Parameter bits	no function
AS-i Address	preset address: 0

Mechanical data	
Enclosure	PBT, glass fibre reinforced
Cover	PA 6.6, black
Indication	LEDs for slave and bus state
Actuator	Roller (thermoplastic)
Ambient air temperature	-25 °C ... +70 °C
Contact type	2 NC (slow-action, Zb)
Direct opening action \rightarrow	acc. to IEC/EN 60947-5-1, Annex K
Mechanical life	3 x 10 ⁶ operating cycles
Switching frequency	≤ 100 / min.
Assembly	2 x M4
Connection	Plug connector M12 male
Plug connection	1: AS-i + 2: free 3: AS-i - 4: free
Weight	≈ 0,05 kg
Installation position	operator definable
Protection type	IP65 acc. to EN 60529

Actuation
The actuating device is preferably started from 2 sides.

Standards
VDE 0660 T100, DIN EN 60947-1, IEC 60947-1
VDE 0660 T200, DIN EN 60947-5-1, IEC 60947-5-1
EN 50295, EN ISO 13849-1, EN 62061

EU Conformity
acc. to directive EMC

ID for safety engineering	
Electronics	MTTFd >100 years
	PFH 1,05 x 10 ⁻⁹ 1/h
Mechanics	B10d 6 x 10 ⁶ cycles

Notes
The degree of protection specified (IP code) applies only to a properly closed cover and the use of an equivalent connector.