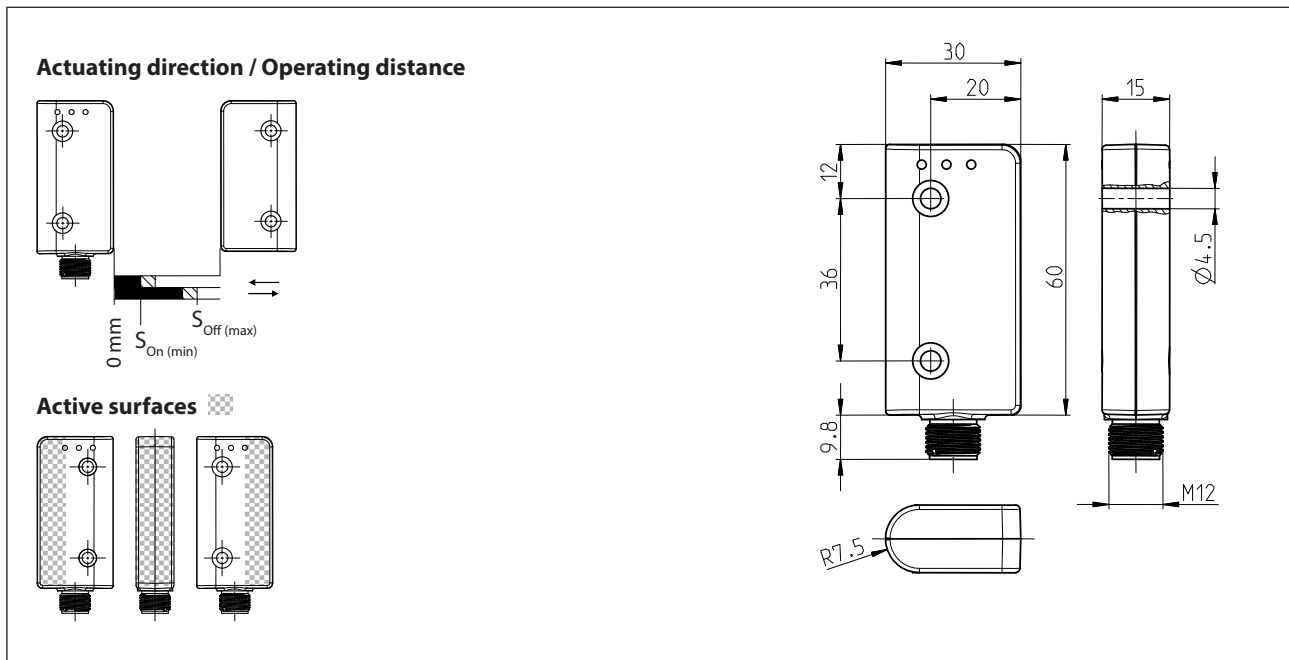


Magnetic Switch Series ASI-CSMS-R

Description **ASI-CSMS-R-M-ST**

Article number **6073200071**



Technical Data				
Operating distance	S	min	typ.	max
	On	3 mm	5 mm	9 mm
	Off	6 mm	9 mm	14 mm
	HYS	-	7 mm	-
Reference magnet	ASI-CSMS-R-S (6073200072)			
Mechanical life	3 x 10 ⁸ switchings			
Repeat accuracy	R	under same geometrical conditions and at the same temperature 0,1 x S (within the limits of S _{min} and S _{max})		
Frequency of actuation	1 Hz			

Electrical data				
Operating voltage	U	18 ... 31,6 V; via AS-interface, reverse-polarity proof		
Operating current	I	< 40mA		
AS-i Specifications	Profile S-0.B			
	IO-Code: 0x0		ID-Code: 0xB	
	ID-Code1: 0xF		ID-Code2: 0xE	
AS-i Inputs	Contact 1	Date bits D0 - D1 = static 00 or dynamic code transmission		
	Contact 2	Date bits D2 - D3 = static 00 or dynamic code transmission		
Parameter bits	no function			
AS-i Address	preset address: 0			

Mechanical data	
Enclosure	Macromelt; encapsulated reed contact
Mounting	2 holes Ø 4,5 (for M4 screws)
Tightening torque (max.)	1 Nm
Indication	3 LEDs (for diagnosis)
Ambient air temperature	-5 °C ... +70 °C
Protection class	IP 67 acc. to IEC 529, EN 60529
Connection	M12-connector (male)
Plug connection	1: AS-i +, 2: free, 3: AS-i -, 4: free
Installation position	operator definable
Pollution degree	3 acc. to EN 60947-1

Standards	
	VDE 0660 T100, DIN EN 60947-1, IEC 60947-1
	VDE 0660 T200, DIN EN 60947-5-1, IEC 60947-5-1
	EN 50295, EN ISO 13849-1 (IEC/EN 61508, EN 60947-5-3)

EC Conformity	
	acc. to directive 2006/42/EC
	acc. to directive 2004/108/EC

Safety Classification	
	acc. 13849-1 to PL e
	MTTF _d acc. to EN ISO 13849-1 : high
	PFD acc. to EN 61508 : 4,79 * 10 ⁻⁹

Bemerkungen	
These sensor units provide with respect to the actuation a high manipulation protection and are not to operate with simple equipment such as depolarized magnets.	
The sensor units are impact- and shock free to actuate.	