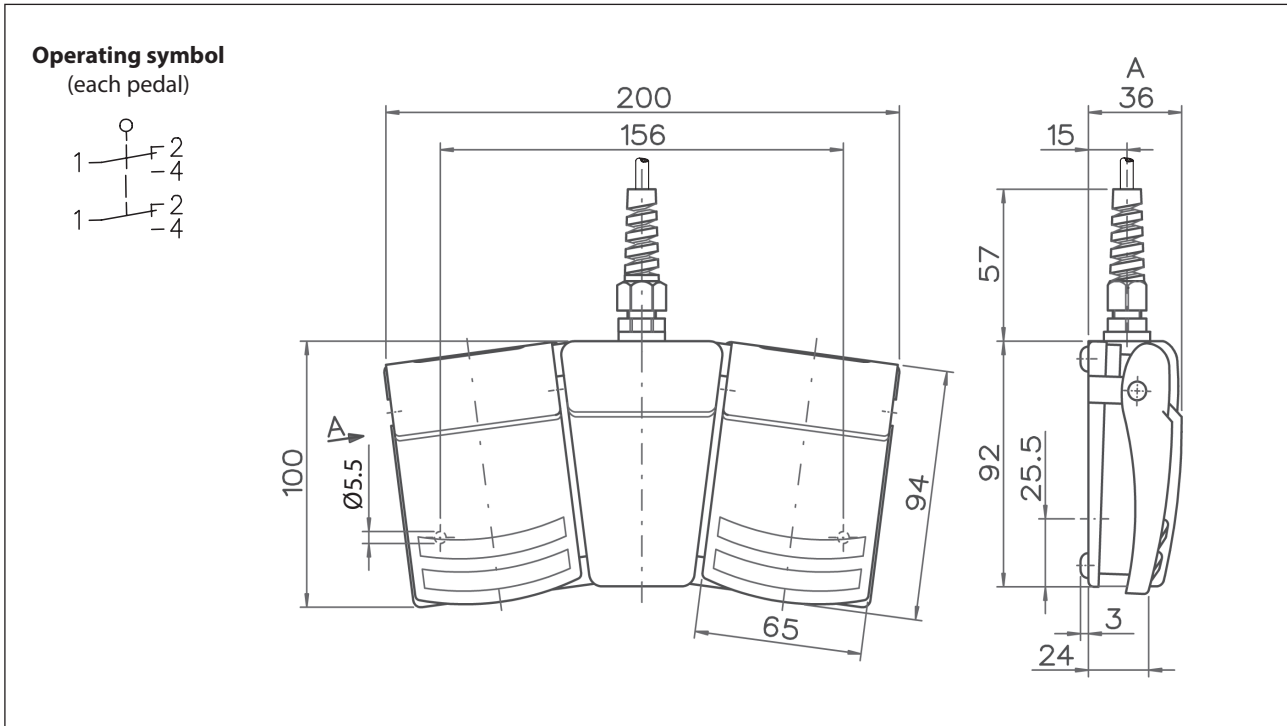


**Foot-switch**  
Series KFM2

Description **KFM2-SU2/SU2 SW**

Article number **6069200007**



**Electrical data**

|                           |       |                     |
|---------------------------|-------|---------------------|
| Rated operational current | $I_e$ | 3,5 A               |
| Rated operational voltage | $U_e$ | 240 V AC            |
| Protection class          |       | II, fully insulated |

| Mechanical Data           |  |
|---------------------------|--|
| Enclosure                 | PA6.6 glass fibre reinforced, black-gray (RAL 7021)  |
| Actuator                  | 2 x Foot lever PA6.6 glass fibre reinforced, black-gray (RAL 7021)                               |
| Ambient air temperature   | -20 °C ... +80 °C  |
| Contact type (each pedal) | 2 changeover   |
| Mechanical life           | 1 x 10 <sup>6</sup> switching cycles   |
| Connection                | PVC-control cable, composition corresponds to H05VV-F, S=0,5 mm <sup>2</sup> , black, length 2 m |
| Number of connections     | 12   |
| Conductor cross-sections  | 0,5 mm <sup>2</sup>  |
| Cable entry size          | 1 x cable gland M12 x 1,5 with bend protection   |
| Protection type           | IP 65 acc. to IEC/EN 60529   |

| Standards      |
|----------------|
| DIN EN 61058-1 |

| EU Conformity                |
|------------------------------|
| acc. to directive 2014/35/EU |

| Notes   |
|---|
| The degree of protection (IP code) specified applies only to a properly closed cover. |