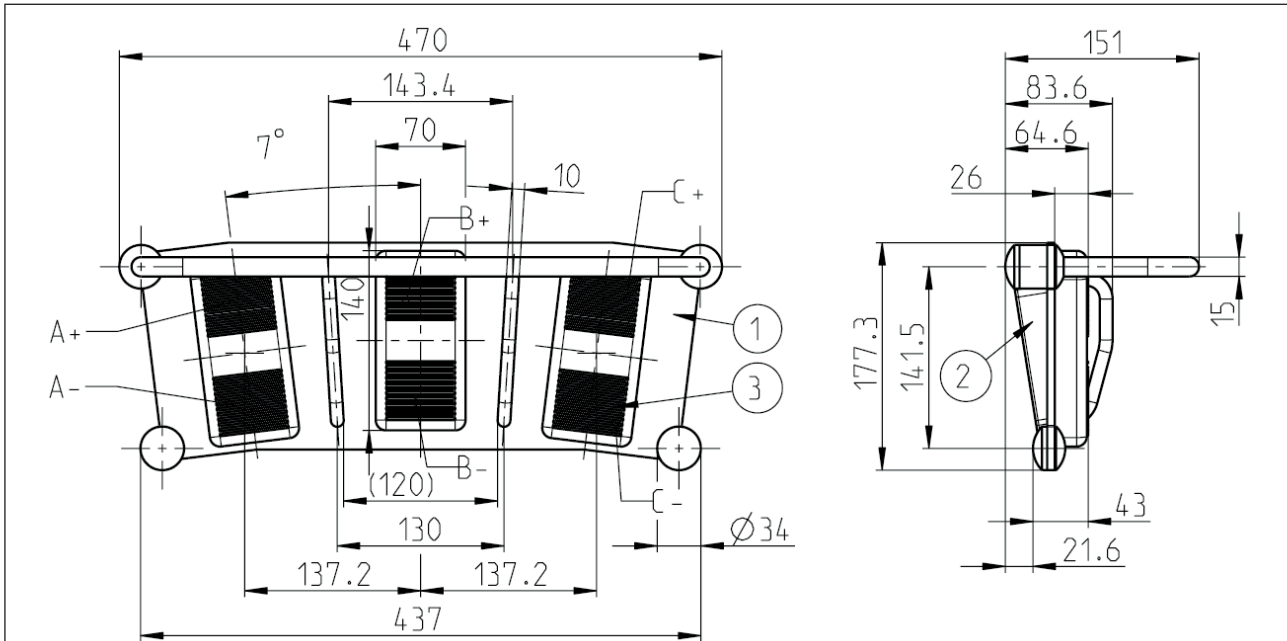


Foot-switch

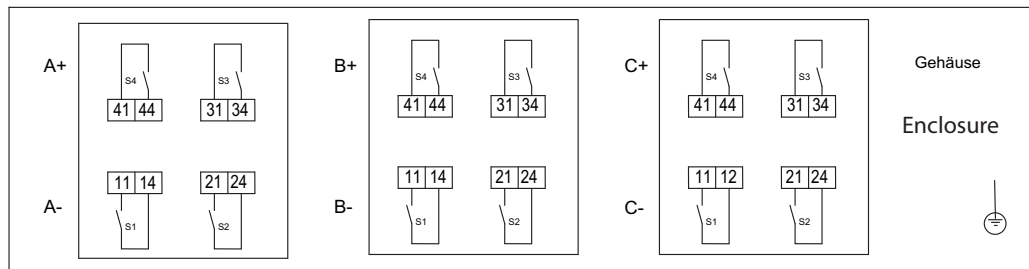
Series Foot-operated terminal (3 module)

Description **FBT3-DS2/DS2/DS2 S**

Article number **6067351013**



Operating symbol



Electrical data

Rated insulation voltage	U_i	250 V (III/2)
Switching power (built-in switch)		30 V DC / 1,5 A
Electrical load gold contacts (built-in switch)		≤ 30 V DC / $\leq 0,4$ A The operating current and max. thermal current for the switching device depends on the operating temperature and the exposed wires of the connection cable. (see EN 60204-1, VDE 0298, VDE 0891)
Short-circuit protective device		2 A gG

Mechanische Daten		
Base plate	①	Stainless steel
Cover	②	Chill casting, aluminium
Actuator	③	Compensator, plastic with silicone rubber cover
Ambient air temperature		-10 °C bis +80 °C
Contact type		12 NO
Operating force (on the outermost groove sealing caps)		≤ 20 N ±25 %
Mechanical life		10 ⁶ operating cycles
Switching frequency		max. 50/min
Installation position		free moving
Connection		screwed connection M3,5
Number of connection		48
Protection ground		1 x M4
Conductor cross-section		Litz wire (solid) without conductor sleeve 1 mm ² Litz wire (solid) with conductor sleeve 0,25 – 0,5 mm ²
Cable entrance		1 x M20 x 1,5
Weight		≈ 6,1 kg
Protection type		IPX8 acc. to IEC/EN 60529

Standards	
	VDE 0660 T100, DIN EN 60947-1, IEC 60947-1
	VDE 0660 T200, DIN EN 60947-5-1, IEC 60947-5-1

Notes	
The degree of protection (IP code) specified applies solely to a property closed cover and the use of an equivalent cable gland with adequate cable.	
The assembly screws for the connector cover with M = 2 Nm to attract.	