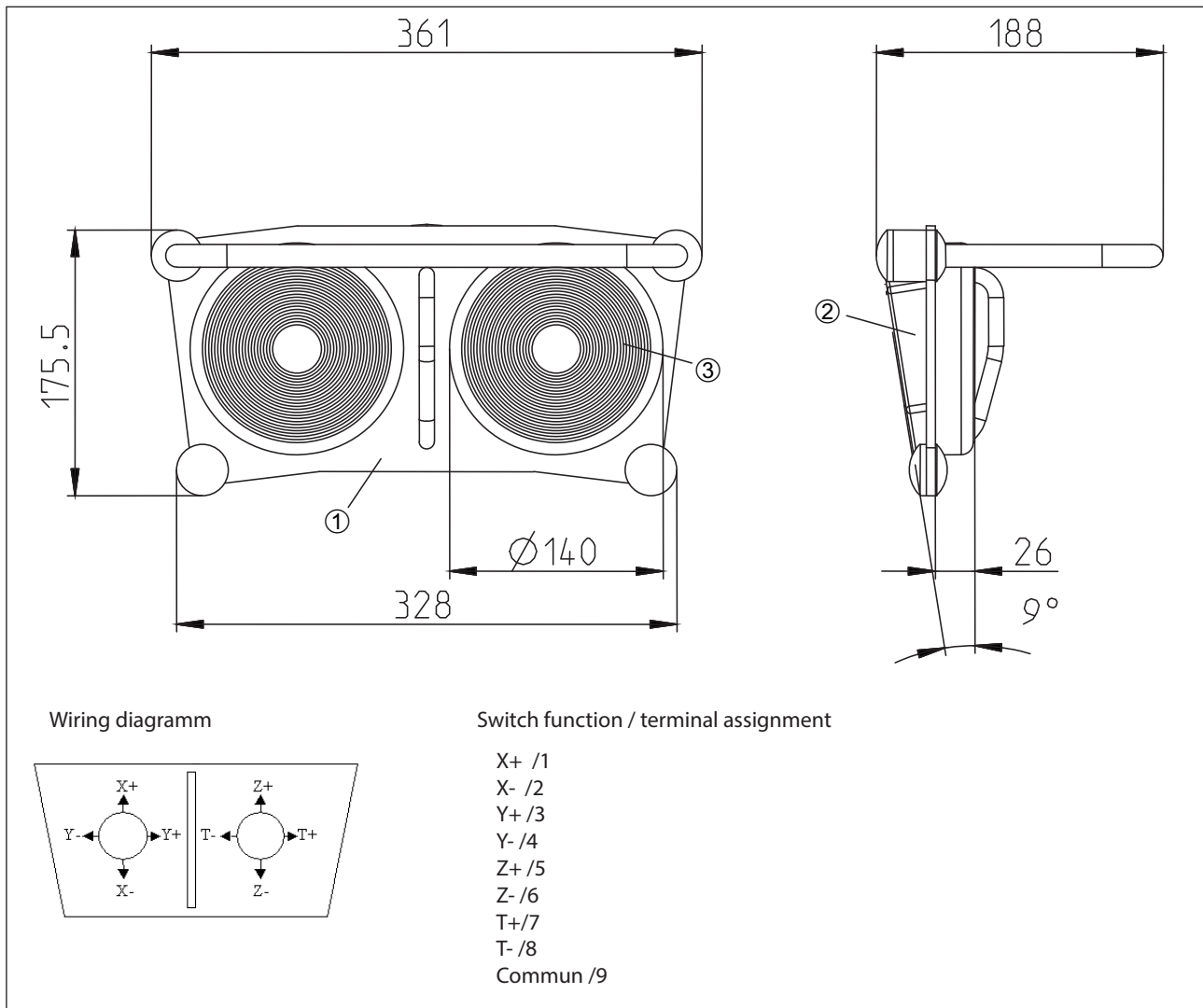


Foot-switch

Series Foot-operated terminal (2 module)

Description **FBT2-JP1/JP1 SH**

Article number **6067273012**



Electrical data		
Rated insulation voltage	U_i	250 V
Conv. thermal current	I_{the}	2 A
Utilization category		AC-15, U_e / I_e 250 V / 1 A DC-13, U_e / I_e 30 V / 1,5 A
Short-circuit protective device		2 A gG
Protection class		I

Mechanische Daten		
Base plate	①	Stainless steel
Cover	②	Chill casting, aluminium
Actuator	③	Plastic with silicone rubber cover
Ambient air temperature		-10 °C bis +50 °C operation -25 °C bis +80 °C storage
Contact type		8 NO (Form A)
Operating force		≈ 10 N
Mechanical life		10 ⁶ operating cycles
Switching frequency		≤ 50/min.
Installation position		free moving
Cable entrance		1 x M20 x 1,5
Protection type		IPX8 acc. to IEC/EN 60529

Standards	
	VDE 0660 T100, DIN EN 60947-1, IEC 60947-1
	VDE 0660 T200, DIN EN 60947-5-1, IEC 60947-5-1

EU Conformity	
	acc. to directive 2006/95/EC

Notes	
The degree of protection (IP code) specified applies solely to a property closed cover and the use of an equivalent cable gland with adequate cable.	
The assembly screws for the connector cover with M = 2 Nm to attract.	