

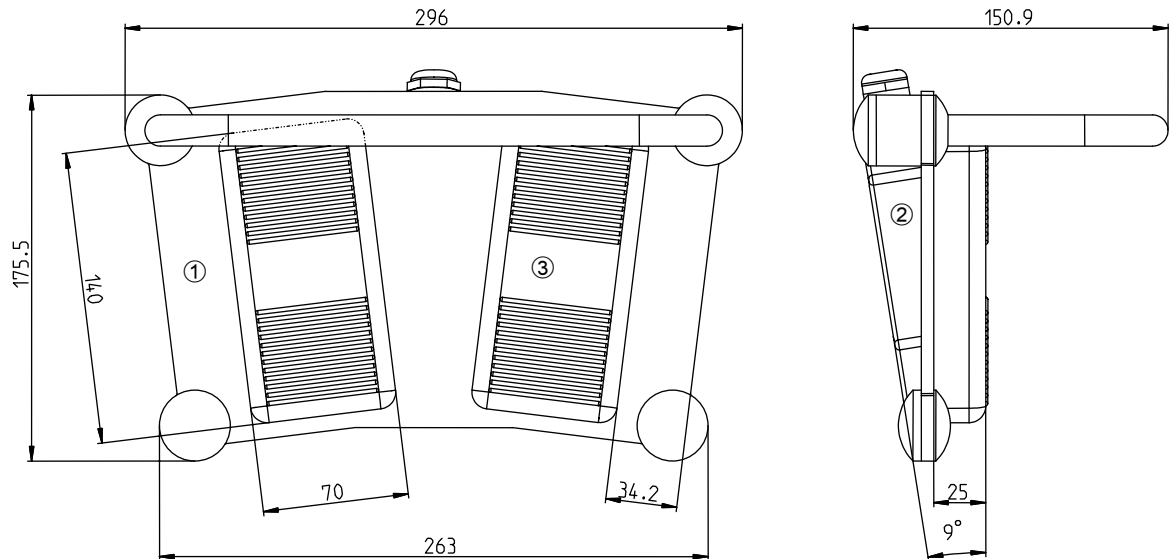
Technical Data

Foot switch

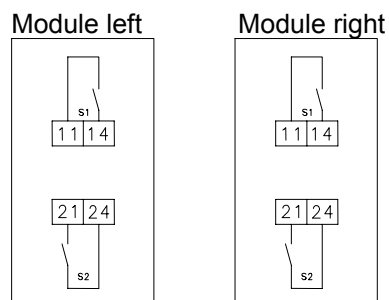
Foot-operated terminal

Description **FBT2-DS1/DS1 H**

Article number **6067242003**



Wiring diagram



Electrical data

Rated insulation voltage	U_i	250 V (III/2)
Conv. thermal current	I_{the}	2 A
Utilization category		AC-15 250 V 1A; DC-13 30 V 1,5 A
Short-circuit protective device		2 A gL/gG
Protection class		I

This document will not become the contractual basis; the details included herein do not constitute any descriptions of expected conditions, so that warranties/claims for defects on account of possible variations of the actual qualities from the qualities described herein are explicitly excluded. All rights reserved. Specifications subject to change without notice!

Date of issue: 25.11.2009 / Page 1 of 2
 Document : 6067242003_en.doc / Status: 1 / 2593-09

Technical Data

Foot switch



Mechanical data	
Enclosure ①	Stainless steel
Cover ②	AL
Actuator ③	Plastic with silicone rubber cover
Ambient air temperature	-10°C to +80°C
Contact type	4 N.O.
Operating force	≈ 10N
Mechanical life	10 ⁶ operating cycles
Switching frequency	≤ 50/min.
Installation position	Free moving
Connection	screw terminal M2 (tightening torque ≥ 0,22Nm)
Number of connections	8 x double terminal
Protection ground	screw terminal M4
Conductor cross-sections	Litz wire without cable end-sleeve 1mm ² Litz wire with non insulated cable end-sleeve 0,25 – 0,5mm ²
Cable entrance	cable gland M20x1,5 clamping range 6-12 mm
Weight	≈ 3,0kg
Protection type	IPX8 acc. to EN 60529; DIN VDE 0470 T1 *)
Regulations	
	VDE 0660 T100, DIN EN 60947-1, IEC 60947-1 VDE 0660 T200, DIN EN 60947-5-1, IEC 60947-5-1
EU Conformity	
	CE

Notes

Tighten cover fastening screws with M = 2 Nm.

*) The specified protection classification (IP code) applies only when the cover is closed and the appropriate cable is used, in accordance with the clamping range of the above mentioned cable gland.