

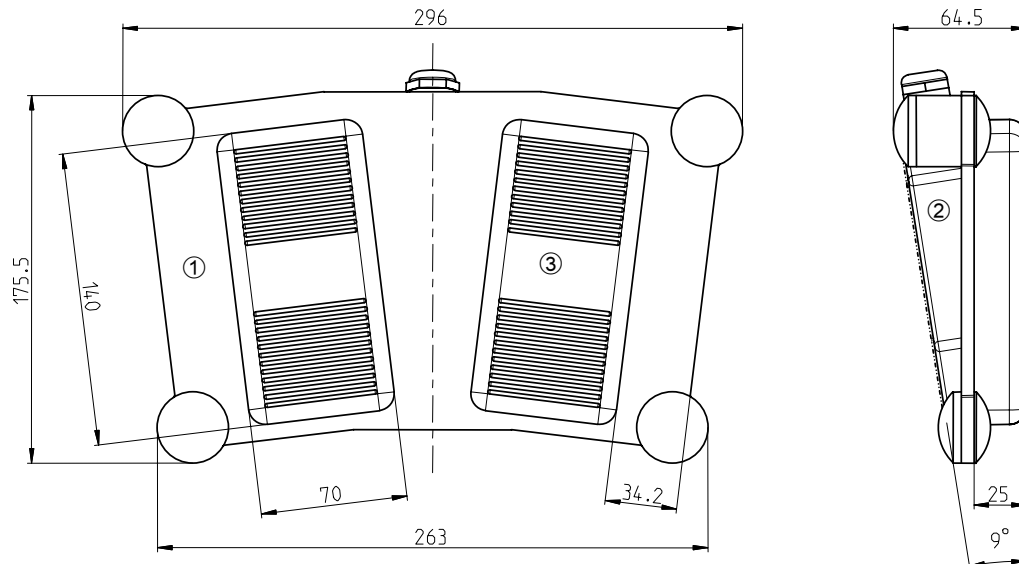
# Technical Data

## Foot switch

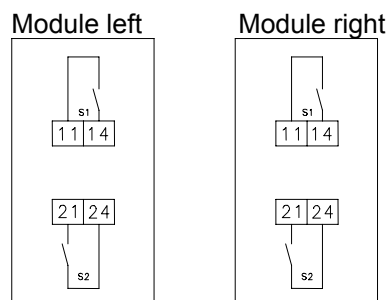
### Foot-operated terminal

Description **FBT2-DS1/DS1**

Article number **6067240001**



### Wiring diagram



### Electrical data

Rated insulation voltage	$U_i$	250V (III/2)
Conv. thermal current	$I_{the}$	2A
Utilization category		AC-15 250V 1A; DC-13 30V 1,5A
Short-circuit protective device		2A gL/gG
Protection class		I

This document will not become the contractual basis; the details included herein do not constitute any descriptions of expected conditions, so that warranties/claims for defects on account of possible variations of the actual qualities from the qualities described herein are explicitly excluded. All rights reserved. Specifications subject to change without notice!

Date of issue: 23.04.2007 / Page 1 of 2  
 Document : 6067240001\_en.doc / Status: 1 / 2266-07

# Technical Data

## Foot switch

Mechanical data		
Enclosure	①	Stainless steel
Cover	②	AL
Actuator	③	Plastic with silicone rubber cover
Ambient air temperature		-10°C to +80°C
Contact type		4 N.O.
Operating force		≈ 10N
Mechanical life		10 <sup>6</sup> operating cycles
Switching frequency		≤ 50/min.
Installation position		Free moving
Connection		screw terminal M2 (tightening torque ≥ 0,22Nm)
Number of connections		8 x double terminal
Protection ground		screw terminal M4
Conductor cross-sections		Litz wire without cable end-sleeve 1mm <sup>2</sup> Litz wire with non insulated cable end-sleeve 0,25 – 0,5mm <sup>2</sup>
Cable entrance		cable gland M20x1,5
Weight		≈ 3,4kg
Protection type		IPX8 acc. to EN 60529; DIN VDE 0470 T1 <sup>*)</sup>
Regulations		
		VDE 0660 T100, DIN EN 60947-1, IEC 60947-1 VDE 0660 T200, DIN EN 60947-5-1, IEC 60947-5-1
EU Conformity		CE

### Notes

Tighten cover fastening screws with M = 2 Nm.

<sup>\*)</sup> The specified protection classification (IP code) applies only when the cover is closed and the appropriate cable is used, in accordance with the clamping range of the above mentioned cable gland.