

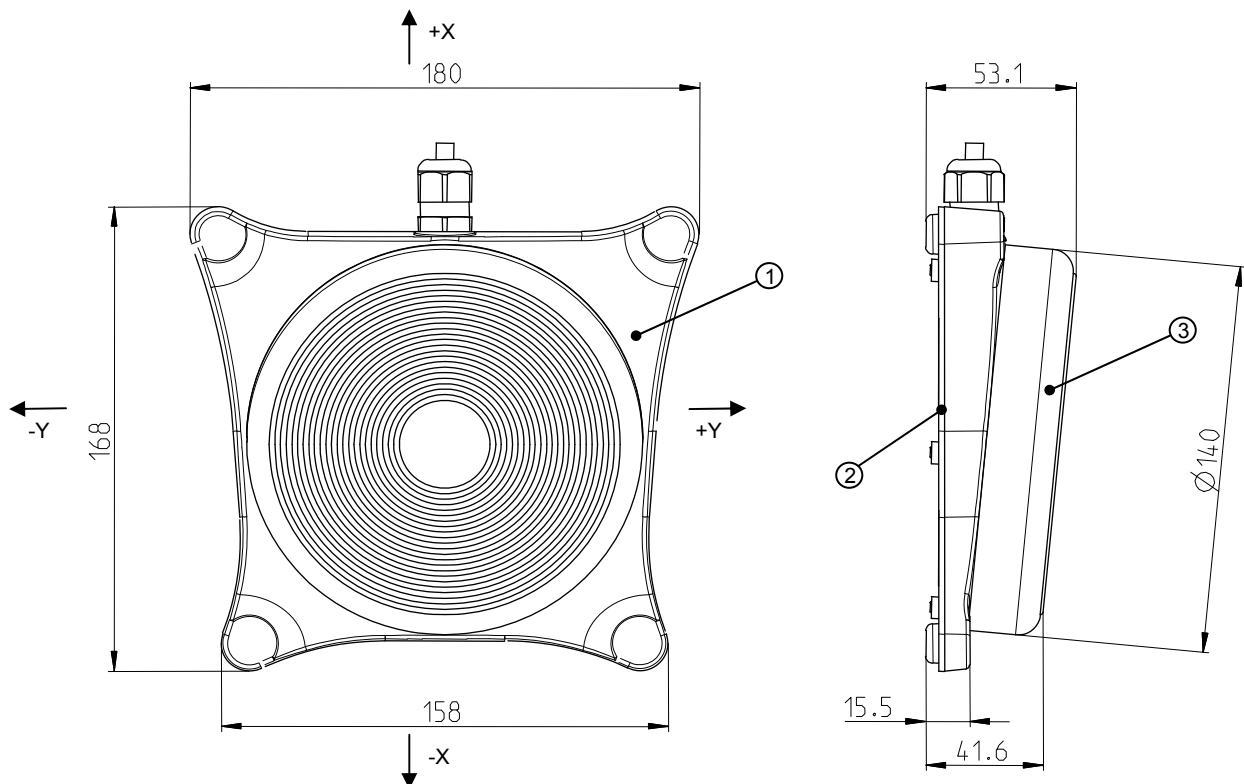
Technical Data

Foot switch

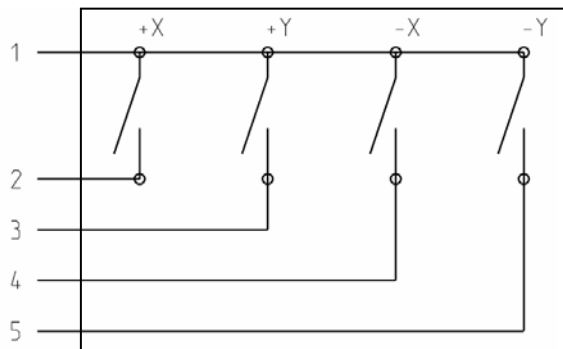
Foot-operated terminal

Description **FBT1-JP1**

Article number **6067170009**



Switching function diagram



Electrical data

Rated insulation voltage	U_i	250 V
Conv. thermal current	I_{the}	2 A
Utilization category		AC-15 250 V 1A; DC-13 30 V 1,5 A
Short-circuit protective device		2 A gG
Protection class		II, totally insulated

This document will not become the contractual basis; the details included herein do not constitute any descriptions of expected conditions, so that warranties/claims for defects on account of possible variations of the actual qualities from the qualities described herein are explicitly excluded. All rights reserved. Specifications subject to change without notice!

Date of issue: 21.03.2012 / Page 1 of 2
Document : 6067170009_en / Status: 1 / 2218-12

Technical Data

Foot switch



Mechanical data		
Enclosure	①	Thermoplastic polymer (PP)
Cover	②	Stainless steel
Actuator	③	Plastic with silicone rubber cover
Ambient air temperature		0 °C to +70 °C
Contact type		4 N.O.
Operating force		≈ 10 N
Mechanical life		10 ⁶ operating cycles
Switching frequency		≤ 50/min.
Installation position		Free moving
Connection		number cable 5 x 0,5 mm ² x 5 m ± 5%; Ölflex 110
Protection type		IPX8 acc. to EN 60529; DIN VDE 0470 T1 ^{*)}

Regulations	VDE 0660 T100, DIN EN 60947-1, IEC 60947-1 VDE 0660 T200, DIN EN 60947-5-1, IEC 60947-5-1
--------------------	--

EU Conformity	acc. to directive 2006/95/EG
----------------------	------------------------------

Notes

^{*)} The specified protection classification (IP code) applies only for the electrical connection area.

This document will not become the contractual basis; the details included herein do not constitute any descriptions of expected conditions, so that warranties/claims for defects on account of possible variations of the actual qualities from the qualities described herein are explicitly excluded. All rights reserved. Specifications subject to change without notice!

Date of issue: 21.03.2012 / Page 2 of 2
Document : 6067170009_en / Status: 1 / 2218-12