

Technical Data

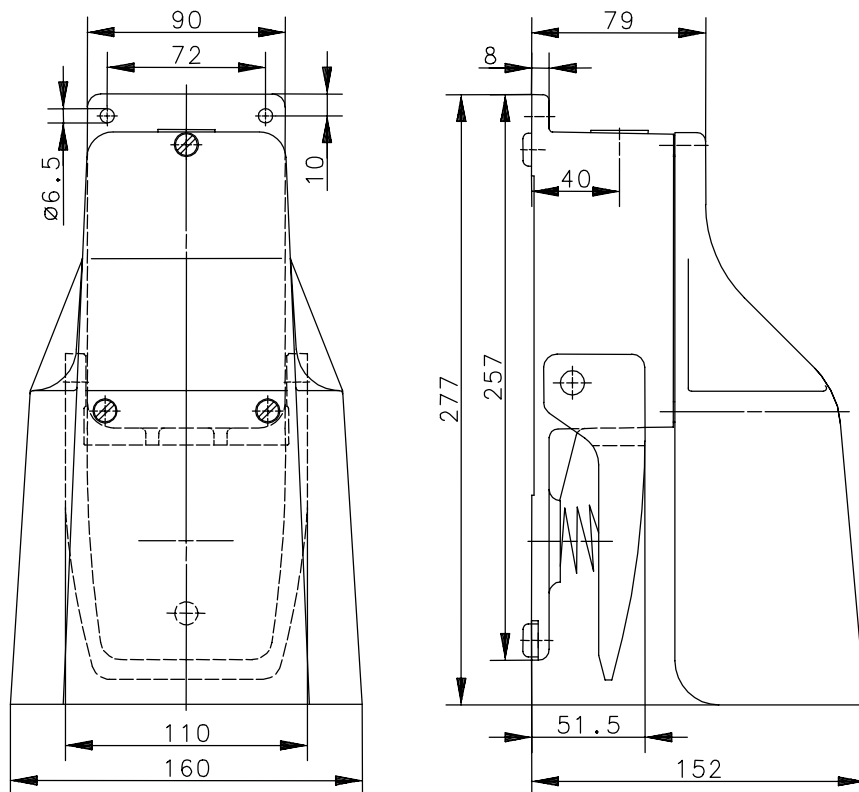
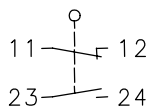
Foot-switch

Series FG UN

Description **FG-U1 UN**

Article number **6064600040**

Switching symbol



Electrical data

| | | |
|---------------------------------|-----------|--------------------------|
| Rated insulation voltage | U_i | 400V AC |
| Conv. thermal current | I_{the} | 10A |
| Rated operational voltage | U_e | 240V |
| Utilization category | | AC-15, U_e/I_e 240V/3A |
| Short-circuit protective device | | Fuse 10A gL/gG |
| Protection class | | I |

This document will not become the contractual basis; the details included herein do not constitute any descriptions of expected conditions, so that warranties/claims for defects on account of possible variations of the actual qualities from the qualities described herein are explicitly excluded. All rights reserved. Specifications subject to change without notice!

Date of issue: 11.03.2005 / Page 1 of 2
Document: 6064600040_en / Status: 1 / 2182-05

| | |
|--------------------------|--|
| Mechanical data | |
| Enclosure | AL-sand cast |
| Cover | AL-sand cast |
| Actuator | Foot pedal (AL-sand cast) |
| Ambient air temperature | -30°C to +80°C |
| Contact type | 1 N.C, 1 N.O. |
| Mechanical life | 10x10 ⁶ operating cycles |
| Switching frequency | Max. 50/min |
| Assembly | 2 x M6 |
| Connection | screw terminals (M3.5) |
| Protection ground | 1 x M4 |
| Conductor cross-sections | Solid: 0.5 ... 1.5mm ² Litz wire with ferrules: 0.5 ... 1.5mm ² |
| Cable entrance | 1 x M20x1.5 |
| Weight | Approx. 2,5kg |
| Protection type | IP65 in accordance with IEC/EN 60529 |
| Standards | |
| | VDE 0660 T100, DIN EN 60947-1, IEC 60947-1 VDE 0660 T200, DIN EN 60947-5-1, IEC 60947-5-1 |
| EU Conformity | |
| | CE |
| Approvals | |
| | cCSAus |

Notes

The degree of protection specified (IP code) applies only to a properly closed protective guard and the use of an equivalent cable gland with adequate cable.