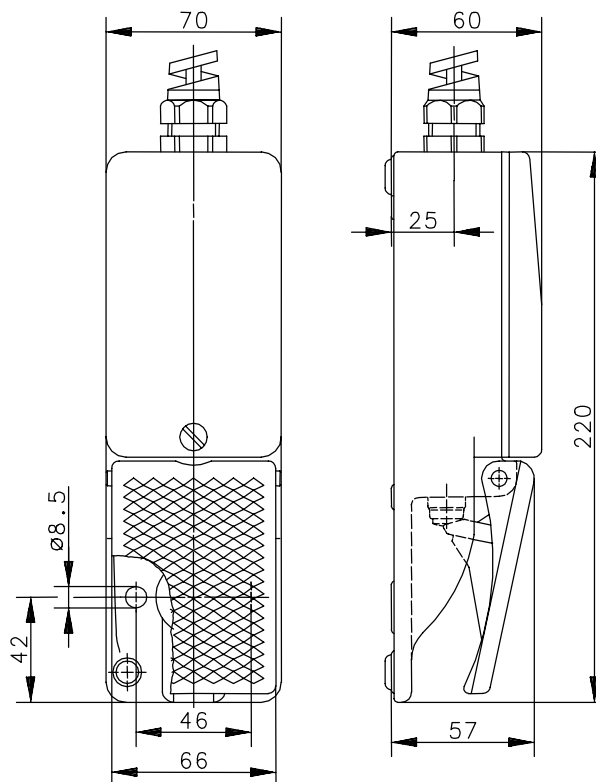
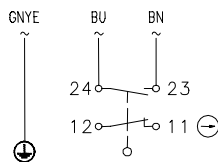


Series F1

Description **F1-U1Z (AP)**

Article number **6061100384**

Switching symbol



Electrical data

Rated insulation voltage	U_i	400V AC
Conv. thermal current	I_{the}	10A
Rated operational voltage	U_e	240V
Utilization category		AC-15, U_e/I_e 240V/3A
Positive opening NC contact	⊖	IEC/EN 60947-5-1 (pedal stop)
Short-circuit protective device		Fuse 10A gL/gG (Slow-action contact) IEC/EN 60947-5-1, Annex K
Protection class		I

This document will not become the contractual basis; the details included herein do not constitute any descriptions of expected conditions, so that warranties/claims for defects on account of possible variations of the actual qualities from the qualities described herein are explicitly excluded. All rights reserved. Specifications subject to change without notice!

Date of issue: 25.02.2005 / Page 1 of 2
Document: 6061100384_en / Status: 1 / 2138-05

Technical Data

Foot-switch

Mechanical data

Enclosure	AL, die-cast, white
Cover	AL, die-cast, white
Actuator	Foot lever (PA, white)
Ambient air temperature	-5°C to +70°C
Contact type	1 N.C, 1 N.O. (Zb)
Operating force	Approx. 10N (pedal centre)
Mechanical life	10 x 10 ⁶ operating cycles
Switching frequency	Max. 50/min
Assembly	2 x M8
Connection	Cable (PVC) 3 x 1mm ² x 4,5m
Weight	Approx. 0,93kg
Protection type	IP68 in accordance with IEC/EN 60529

Regulations

VDE 0660 T100, DIN EN 60947-1, IEC 60947-1
VDE 0660 T200, DIN EN 60947-5-1, IEC 60947-5-1

EU Conformity



Notes

The degree of protection specified (IP code) applies only to a properly closed cover.