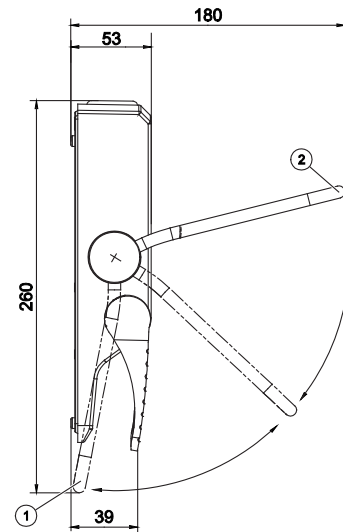
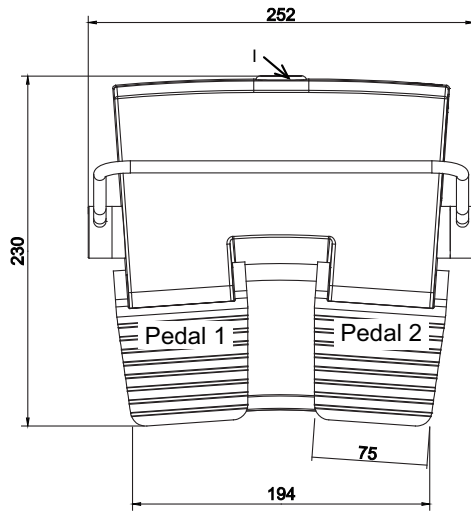
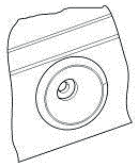


# Foot-switch Series MF2

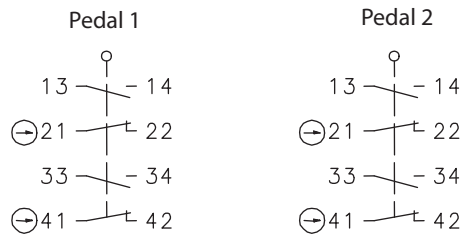
Description **MF2-505-505-IKS-0**

Article number **6060200038**

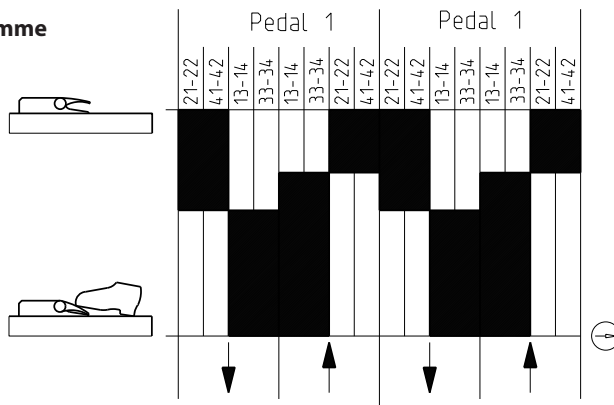
I-Cable gland  
Typ inside



### Switching symbol



### Operating diagramme




Electrical Data		
Rated operational voltage	$U_e$	$\leq 30 \text{ V DC}$
Rated operational current	$I_e$	$\leq 0,5 \text{ A}$
Direct opening action	$\rightarrow$	acc. to IEC/EN 60947-5-1, annex K
Protection class		I

Mechanical data		
Enclosure		AL, die-cast (powder-coated), Pantone Cool Gray 2c
Cover		AL, die-cast (powder-coated), Pantone Cool Gray 2c
Carrier handle		Stainless steel
Actuator		2 Pedals (Thermoplastic), Pedal 1: RAL 1004 golden yellow, YE Pedal 2: RAL 5015 sky blue, BU
Ambient air temperature	$t = \infty$	$-10 \text{ °C} \leq T \leq +80 \text{ °C}$
	$t \leq 2 \text{ h (cleaning)}$	$-10 \text{ °C} \leq T \leq +95 \text{ °C}$
Normal use condition	temperature	$+10 \text{ °C} \leq T \leq +40 \text{ °C}$
	air humidity	5 % ... 95 % - no condensation
	atmospheric pressure	700 hPa ... 1060 hPa
Storage and transport condition	temperature	$-20 \text{ °C} \leq T \leq +80 \text{ °C}$
	air humidity	5 % ... 95 % - no condensation
	atmospheric pressure	700 hPa ... 1060 hPa
Contact type		per Pedal 1 Changover (Zb) (Slow-action contact)
Operating force (pedal centre)		$15 \text{ N} \pm 10 \%$
Mechanical life		$> 1 \times 10^6$ operating cycles
Switching frequency		max. 50/min
Connection		screw terminals
Conductor cross-sections		Solid: 0,5 – 1,5 mm <sup>2</sup> Litz wire with ferrules: 0,5 – 1,5 mm <sup>2</sup>
Protective conductor terminal		2 x M4
Shield support		with shield support and strain relief
Cable entrance		1 x cable gland inside M20 x 1,5 (clamp-range 7 – 12 mm)
Weight		$\approx 1,8 \text{ kg}$
Protection type		IPX8 acc. to IEC/EN 60529 (0,15 bar / 1 h)

ID for safety engineering	
B10d	$2 \times 10^6$ cycles

Regulations	
	VDE 0660 T100, DIN EN 60947-1, IEC 60947-1
	VDE 0660 T200, DIN EN 60947-5-1, IEC 60947-5-1
	IEC 60601-1
	UL 60601-1
	DIN EN ISO 13849-1

EU Conformity	
	acc. to directive 2006/42/EC (Safety-of-Machinery-Directive)

<b>Approvals</b>	
Only if approved components are used.	 US
<b>Test</b>	
AP	
<b>Notes</b>	
<p>The specified protection classification (IP code) applies only when the cover is closed and the appropriate cable is used, in accordance with the clamping range of the above mentioned cable gland.                  Selection of components and installation of the grounding equipment conductor must fulfil IEC 60601-1 / UL 60601-1 requirements.</p>	