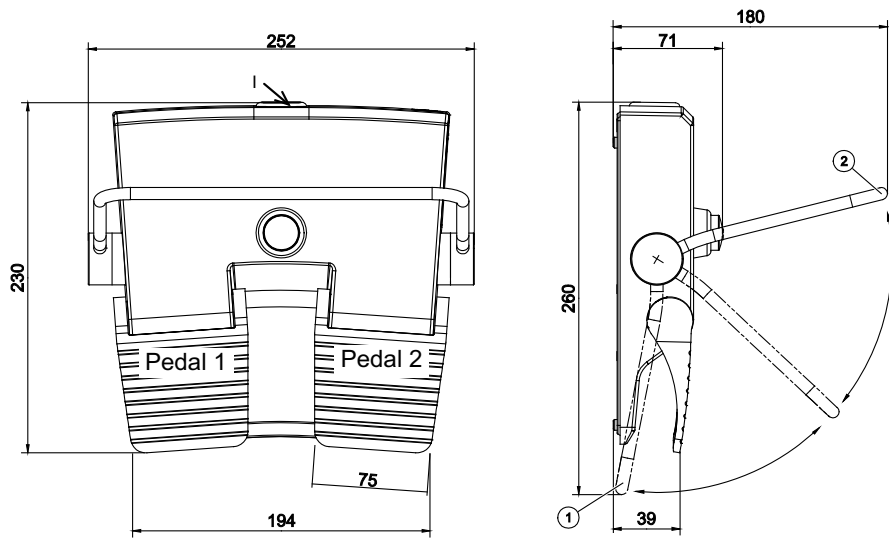
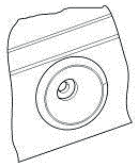


# Foot-switch Series MF2

Description **MF2-100-100-IKST-0**

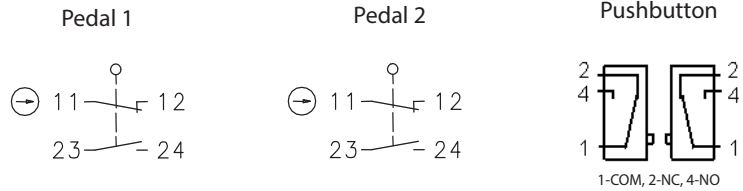
Article number **6060200021**

I-Cable gland  
Typ inside

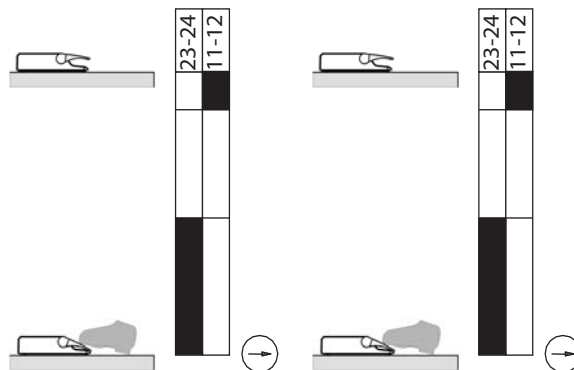


The carrier handle can be moved. It snaps into the outer positions (1 and 2).

### Switching symbol



### Operating diagramme




Electrical Data	
Protection class	I
Switch insert (Pedal 1 and 2)	
Rated operational voltage	$U_e \leq 30 \text{ V DC}$
Rated operational current	$I_e \leq 0,5 \text{ A}$
Contact type	1 changeover contact (Zb) (Slow-action contact)
Direct opening action	↻ acc. to IEC/EN 60947-5-1, Annex K (pedal stop)
Pushbutton	
Rated operational voltage	$U_e \leq 30 \text{ V DC}$
Rated operational current	$I_e \leq 0,5 \text{ A}$
Contact type	2 x changeover contact

Mechanical data	
Enclosure	AL, die-cast (powder-coated), Pantone Cool Gray 2c
Cover	AL, die-cast (powder-coated), Pantone Cool Gray 2c
Actuator	2 Pedals (Thermoplastic), RAL 7036 (platinum gray) 1 Pushbutton stainless steel
Carrier handle	stainless steel
Ambient air temperature	$t = \infty$ $-10 \text{ °C} \leq T \leq +80 \text{ °C}$ $t \leq 2 \text{ h (cleaning)}$ $-10 \text{ °C} \leq T \leq +95 \text{ °C}$
Normal use condition	temperature $+10 \text{ °C} \leq T \leq +40 \text{ °C}$ air humidity 5 % ... 95 % - no condensation atmospheric pressure 700 hPa ... 1060 hPa
Storage and transport condition	temperature $-20 \text{ °C} \leq T \leq +80 \text{ °C}$ air humidity 5 % ... 95 % - no condensation atmospheric pressure 700 hPa ... 1060 hPa
Operating force (pedal centre)	$15 \text{ N} \pm 10 \%$
Mechanical life	$>1 \times 10^6$ operating cycles
Switching frequency	max. 50/min
Connection	Pushbutton blade terminal 2,8 x 0,5 x 8,1mm Switching elements (pedal 1 and 2) screw connections
Conductor cross-sections	Solid: 0,5 – 1,5 mm <sup>2</sup> Litz wire with ferrules: 0,5 – 1,5 mm <sup>2</sup>
Protective conductor terminal	2 x M4
Cable entrance	1 x cable gland inside M20 x 1,5 (clamp-range 7 – 12 mm)
Weight	$\approx 2,3 \text{ kg}$
Protection type	IPX8 acc. to IEC/EN 60529 (0,15 bar / 1 h)

ID for safety engineering	
B10d	$2 \times 10^6$ operating cycles

Regulations	
	VDE 0660 T100, DIN EN 60947-1, IEC 60947-1
	VDE 0660 T200, DIN EN 60947-5-1, IEC 60947-5-1
	IEC 60601-1
	UL 60601-1
	DIN EN ISO 13849-1

<b>EU Conformity</b>
acc. to directive 2006/42/EC

<b>Approvals</b>
Only if approved components are used. 

<b>Test</b>
AP

<b>Notes</b>
The specified protection classification (IP code) applies only when the cover is closed and the appropriate cable is used, in accordance with the clamping range of the above mentioned cable gland. Selection of components and installation of the grounding equipment conductor must fulfil IEC 60601-1 / UL 60601-1 requirements.