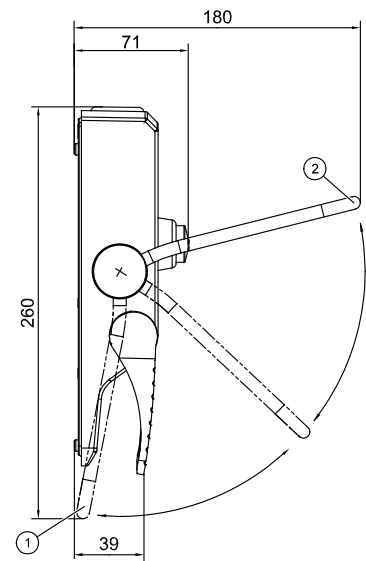
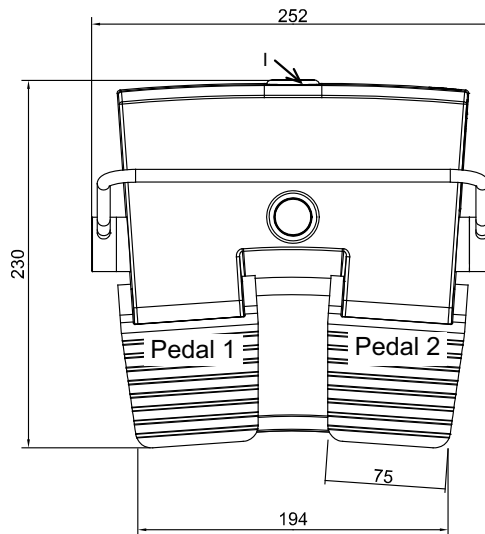
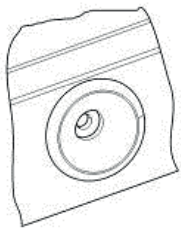


Foot-switch Series MF2

Description **MF2-5I5-A50I-IKST-0**

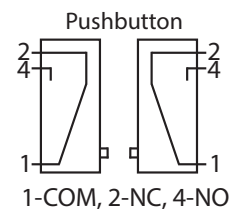
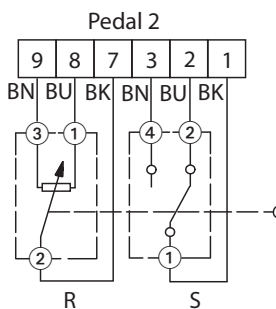
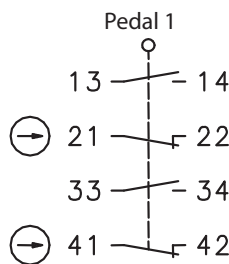
Article number **6060200019**

I - Internal cable gland

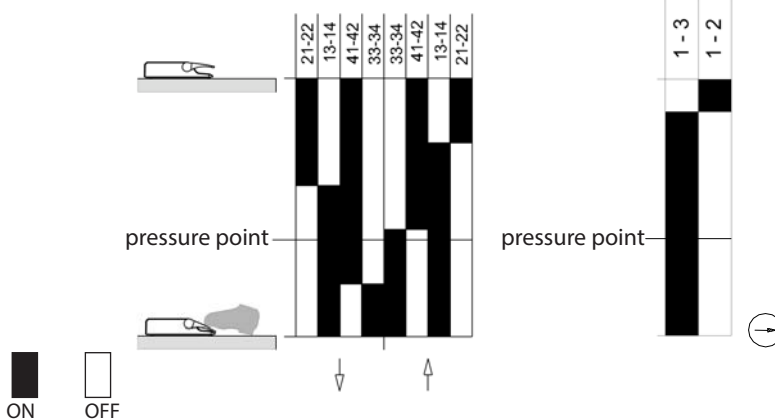


The carrier handle can be moved. It snaps into the outer positions (1 and 2).

Operating symbol



Operating diagram



Electrical data		
Protection class	I	
Switch element (Pedal 1)		
Rated operational voltage	U_e	≤ 30 V DC
Rated operational current	I_e	$\leq 0,5$ A
Contact type	2 changover contact (Zb)	
Direct opening action	⊖	acc. to IEC/EN 60947-5-1, annex K
Potentiometer Module (Pedal 2)		
	Microswitch (changeover contact)	Potentiometer
Rated current	0,5 A	-
Contact current	-	$\leq 0,3$ mA
Rated operational voltage	U_e	30 V DC
Ferrule resistor	-	10 k Ω \pm 10 %
Max. wiper current in case of malfunction	-	100 mA
Power rating	-	max. 2 W / 70 °C
Electrical life	5 x 10 ⁴ switching cycles	
Pushbutton		
Rated operational voltage	U_e	≤ 30 V DC
Rated operational current	I_e	$\leq 0,5$ A
Contact type	2 changover contacts	

Mechanical data		
Enclosure	AL, die-cast (powder-coated), Pantone Cool Gray 2c with shield support	
Cover	AL, die-cast (powder-coated), Pantone Cool Gray 2c	
Actuator	2 pedals (thermoplastic) RAL 7036 platinum grey 1 Pushbutton (high quality steel)	
Carrier handle	stainless steel	
Ambient air temperature @ $t = \infty$ $t \leq 2$ h (cleaning)	-10 °C $\leq T \leq$ +80 °C -10 °C $\leq T \leq$ +95 °C	
Normal use condition	temperature	+10 °C $\leq T \leq$ +40 °C
	air humidity	5 % ... 95 % - no condensation
	atmospheric pressure	700 hPa ... 1060 hPa
Storage and transport condition	temperature	-20 °C $\leq T \leq$ +80 °C
	air humidity	5 % ... 95 % - no condensation
	atmospheric pressure	700 hPa ... 1060 hPa
Operating force (pedal centre)		15 N \pm 10 %
	pressure point	30 N \pm 10 %
Mechanical life	> 1x10 ⁶ operatings	Potentiometer 5x10 ⁴ rotation cycles
Switching frequency	50 operating cycles/min	≤ 20 operating cycles/min
Connection	Pushbutton	Blade connector 2.8 x 0.5 x 8.1mm
	Switch element (Pedal 1)	Screw connection Solid: 0,5 - 1,5 mm ² Litz wire with or without ferrules: 0,5 - 1,5 mm ²
	Potentiometer (Pedal 2)	Solid: $\leq 1,5$ mm ² Litz wire with or without ferrules: $\leq 1,5$ mm ²
Protection ground	2 x M4	
Cable entrance	1 x Cable gland (internal), M16 x 1,5 (clamping range \varnothing 3 – 7 mm)	
Weight	$\approx 2,5$ kg	
Protection type	IPX8 acc. to IEC/EN 60529 (0,15 bar / 1 h)	

Standards	
	VDE 0660 T100, DIN EN 60947-1, IEC 60947-1
	VDE 0660 T200, DIN EN 60947-5-1, IEC 60947-5-1
	IEC 60601-1
	UL 60601-1

EU Conformity	
	acc. to directive 2006/42/EC

Approvals	
Only if approved components are used	

Test	
	AP

Notes	
<p>The degree of protection (IP code) specified applies solely to a property closed cover and the use of an equivalent cable gland with adequate cable.</p> <p>Selection of components and installation of the grounding equipment conductor must fulfil IEC 60601-1 / UL 60601-1 requirements.</p>	