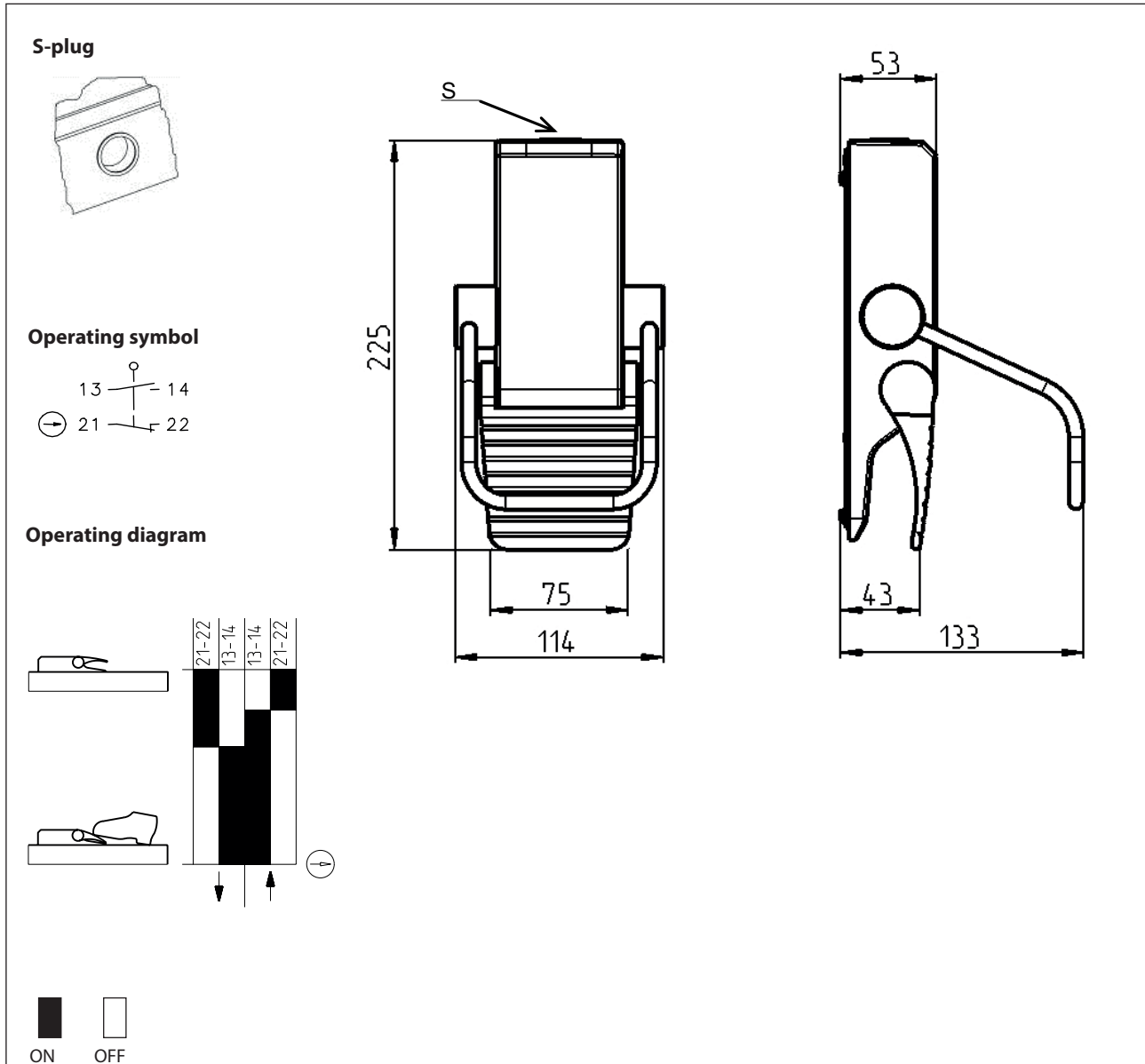


Foot-switch
Series MF1

Description **MF1-500-L-0**

Article number **6060100016**



Electrical Data

Rated operational voltage	U_e	≤ 30 V DC
Rated operational current	I_e	$\leq 0,5$ A
Direct opening action	\ominus	acc. to IEC/EN 60947-5-1, Annex K
Protection class		I

Mechanical data	
Enclosure	AL, die-cast (powder-coated), Pantone Cool Gray 2c
Cover	AL, die-cast (powder-coated), Pantone Cool Gray 2c
Actuator	1 pedal (thermoplastic) RAL 7036 (platinum grey)
Ambient air temperature @ $t = \infty$	$-10\text{ °C} \leq T \leq +80\text{ °C}$
$t \leq 2\text{ h}$ (cleaning)	$-10\text{ °C} \leq T \leq +95\text{ °C}$
Normal use condition	temperature $+10\text{ °C} \leq T \leq +40\text{ °C}$ air humidity 5 % ... 95 % - no condensation atmospheric pressure 700 hPa ... 1060 hPa
Storage and transport condition	temperature $-20\text{ °C} \leq T \leq +80\text{ °C}$ air humidity 5 % ... 95 % - no condensation atmospheric pressure 700 hPa ... 1060 hPa
Contact type	1 changeover (Zb)
Operating force	15 N \pm 10 %
Mechanical life	$> 1 \times 10^6$ operating cycles
Switching frequency	50 switching cycles / min
Connection	screw connections
Conductor cross-sections	Solid: 0,5 – 1,5 mm ² Litz wire with or without ferrules: 0,5 – 1,5 mm ²
Protection ground	2 x M4
Cable entrance	1 x M20 x 1,5
Weight	$\approx 1,3\text{ kg}$
Protection type	IPX8 acc. to IEC/EN 60529 (0,15 bar / 1 h)

ID for safety engineering	
B10d	2×10^6 cycles

Standards	
	VDE 0660 T100, DIN EN 60947-1, IEC 60947-1
	VDE 0660 T200, DIN EN 60947-5-1, IEC 60947-5-1
	IEC 60601-1
	UL 60601-1
	DIN EN ISO 13849-1

EU Conformity	
	acc. to directive 2006/42/EC

Approvals	
Only if approved components are used	

Test	
	AP

Notes	
The degree of protection specified (IP code) applies only to a properly closed cover and the use of an equivalent cable gland with adequate cable. Selection of components and installation of the grounding equipment conductor must fulfil IEC 60601-1 / UL 60601-1 requirements.	