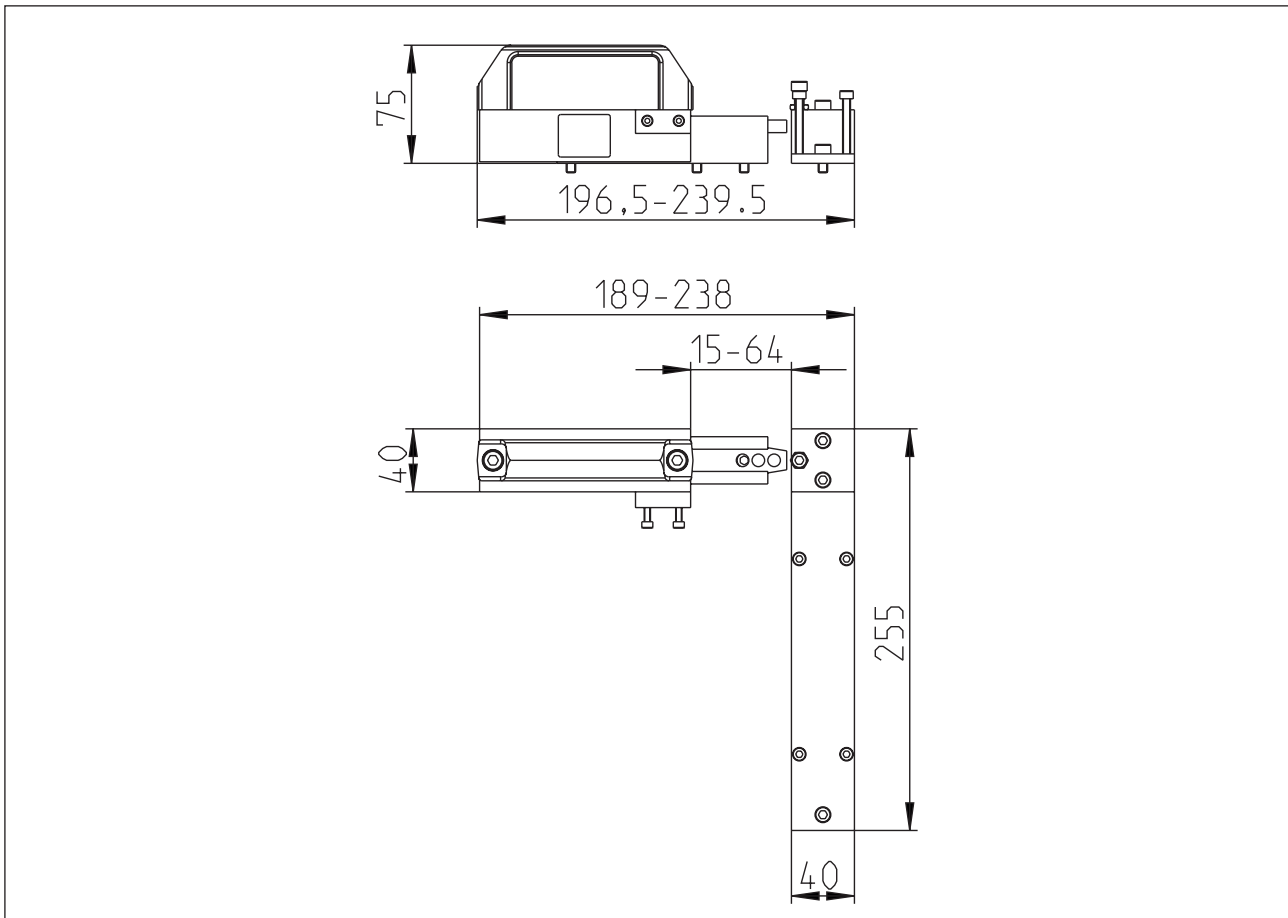


**Latch complete system**  
Series BF

Description **BF1-SLK**

Article number **6050100001**



**Mechanical data**

Base plate / carrier sections	Aluminium
Handhold	PA
Latch	Steel
Adjustment	Spring plunger
Mechanical life	tbd
Assembly	Door: 3 x M6 Frame: 3 x M6
Weight	≈ 0,80 kg
Installation position	Attached right / left

**Standards**

Together with a safety switch, the latch serves as a mechanical locking device conforming to DIN EN ISO 12100 and DIN EN ISO 14119.

**Notes**

A SLK - safety switch can be purchased to match the BF1-SLK.  
The mounting material is enclosed with the BF1-SLK.