

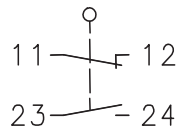
# Metal bodied limit switch

## Series D

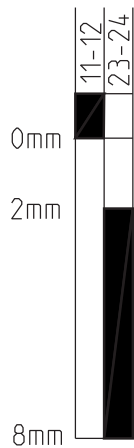
Description **D-U1 RW 90GR**

Article number **6041118581**

### Operating symbol



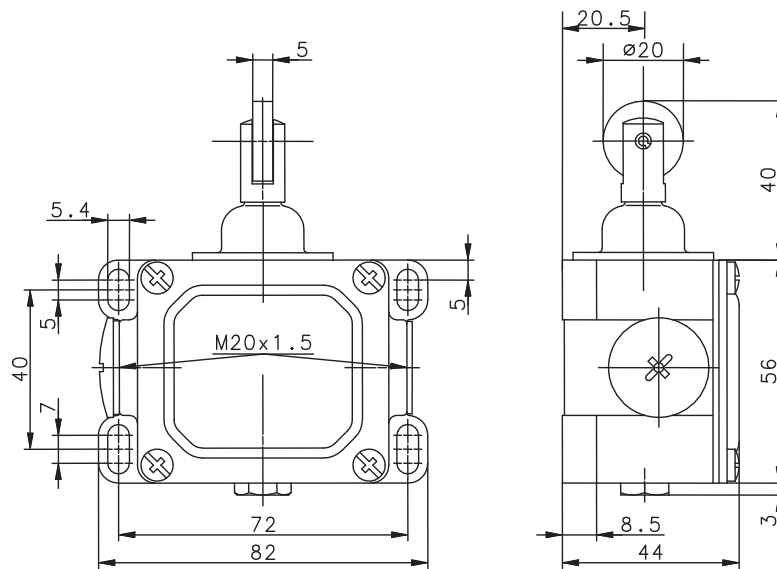
### Operating diagram



On

Off

Tolerance:  
Operating Point  $\pm 0,25$  mm;  
Operating force  $\pm 10$  %



### Electrical Data

|                                 |           |                              |
|---------------------------------|-----------|------------------------------|
| Rated insulation voltage        | $U_i$     | 400 V AC                     |
| Conv. thermal current           | $I_{the}$ | 10 A                         |
| Rated operational voltage       | $U_e$     | 240 V                        |
| Utilization category            |           | AC-15, $U_e/I_e$ 240 V / 3 A |
| Short-circuit protective device |           | Fuse 10 A gG                 |
| Protection class                |           | I                            |

| <b>Mechanical data</b>   |   |
|--------------------------|---|
| Enclosure                | Die-cast aluminium  |
| Cover                    | Sheet aluminium   |
| Actuator                 | Push bolt with roller (st)  |
| Ambient air temperature  | -30 °C ... +80 °C   |
| Contact type             | 1 NC, 1 NO  |
| Mechanical life          | 10 x 10 <sup>6</sup> switching cycles   |
| Switching frequency      | ≤ 100 / min.  |
| Assembly                 | 4 x M5  |
| Connection               | 4 screw connections (M4)  |
| Conductor cross-sections | Solid: 0,5 ... 1,5 mm <sup>2</sup> or<br>Litz wire with ferrules: 0,5 ... 1,5 mm <sup>2</sup> |
| Cable entrance           | 2 x M20 x 1,5   |
| Weight                   | ≈ 0,28 kg   |
| Installation position    | operator definable  |
| Protection type          | IP65 acc. to IEC/EN 60529   |

| <b>Actuation</b>   |
|--|
| By loosening the 4 screws the actuation assembly can be rotated in 90 degree increments such that 4 actuation directions are possible. The actuation assembly is to be again fastened to the housing using the 4 screws. |

| <b>Standards</b>                               |
|--|
| VDE 0660 T100, DIN EN 60947-1, IEC 60947-1     |
| VDE 0660 T200, DIN EN 60947-5-1, IEC 60947-5-1 |

| <b>EU Conformity</b>         |
|------------------------------|
| acc. to directive 2006/95/EC |

| <b>Approvals</b>                        |
|---|
| cCSA <sub>US</sub> A300 (same polarity) |

| <b>Notes</b>   |
|--|
| The degree of protection (IP code) specified applies solely to a property closed cover and the use of an equivalent cable gland with adequate cable. |