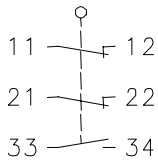


### Series GC

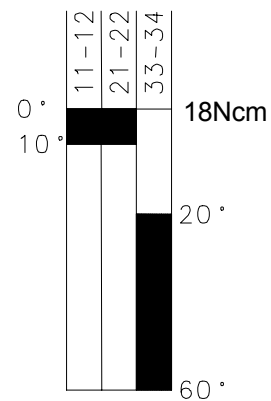
Description **GC-U15 AD 180 Gr.**



Article number **6022537362**

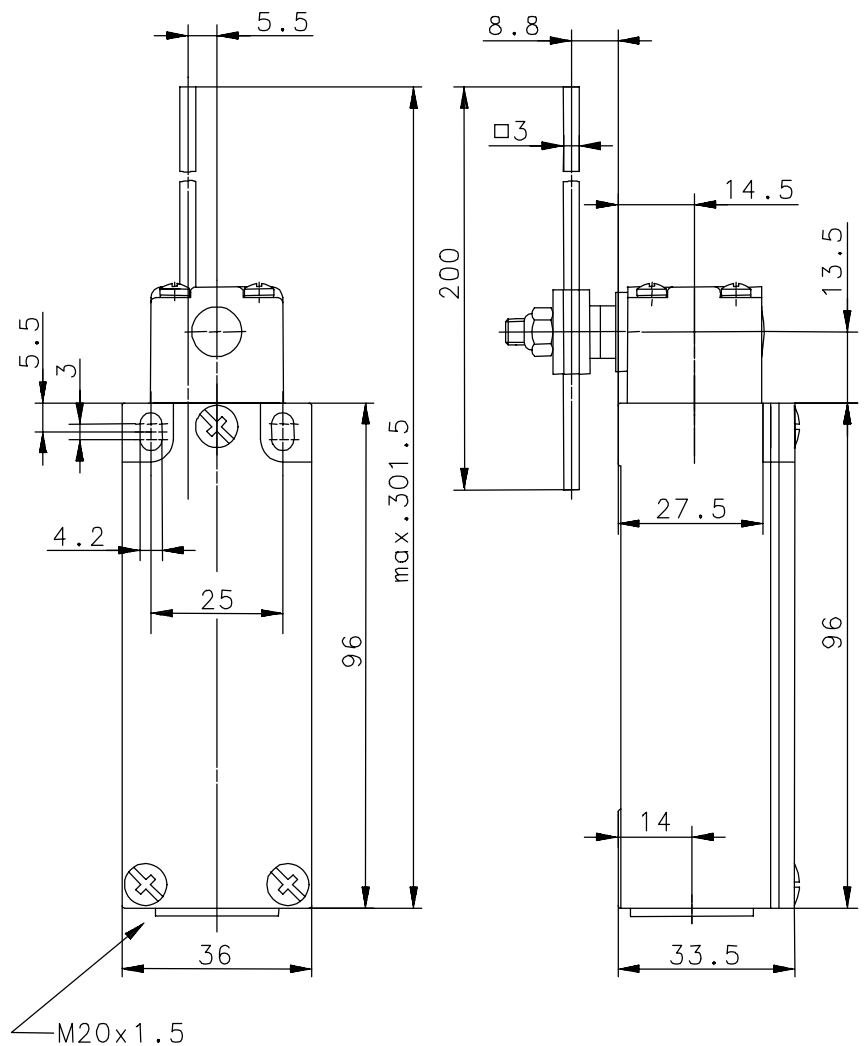
Operating symbol



Operating diagram



 Ein  
 Aus  
 Tolerances:  
 Operating point  $\pm 3,5^\circ$ ;  
 Actuating force  $\pm 10\%$



### Electrical data

Rated insulation voltage	$U_i$	250 VAC
Conv. thermal current	$I_{the}$	5A
Rated operational voltage	$U_e$	240V
Utilization category		AC-15, $U_e/I_e$ 240V/1,5A
Short-circuit protective device		Fuse 6A gL/gG
Protection class		IEC/EN 60947-5-1, Annex K I

This document will not become the contractual basis; the details included herein do not constitute any descriptions of expected conditions, so that warranties/claims for defects on account of possible variations of the actual qualities from the qualities described herein are explicitly excluded. All rights reserved. Specifications subject to change without notice!

Date of issue: 06.10.2005 / Page 1 of 2  
Document: 6022537362\_en / : 1 / Last update: 2859-05

### Mechanical data

Enclosure	Die-cast aluminium
Cover	Sheet aluminium
Actuator	Lever arm housing (Zn-DG), rod (st)
Ambient air temperature	-30°C ... +80°C
Contact type	2 NC, 1 NO
Mechanical life	10 x 10 <sup>6</sup> operating cycles
Switching frequency	≤ 100 / min.
Assembly	2 x M4
Connection	4 screw terminals (M3.5)
Conductor cross-sections	Solid: 0.5 ... 1.5mm <sup>2</sup> Litz wire with ferrules: 0.5 ... 1.5mm <sup>2</sup>
Cable entrance	cable gland (M20x1.5)
Weight	≈ 0,23 kg
Installation position	Operator definable
Protection type	IP65 acc. to IEC/EN 60529

### Actuation

By loosening the 4 screws the actuation assembly can be rotated in 90 degree increments such that 4 actuation directions are possible. The actuation assembly is to be again fastened to the housing using the 4 screws.

### Standards

VDE 0660 T100, DIN EN 60947-1, IEC 60947-1  
VDE 0660 T200, DIN EN 60947-5-1, IEC 60947-5-1

### EU Conformity

CE

### Approvals

### Notes

The specified protection classification (IP code) applies only when the cover is closed and the appropriate cable is used, in accordance with the clamping range of the above mentioned cable gland.