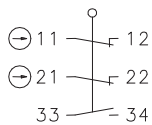


## Metal bodied limit switch Series GC

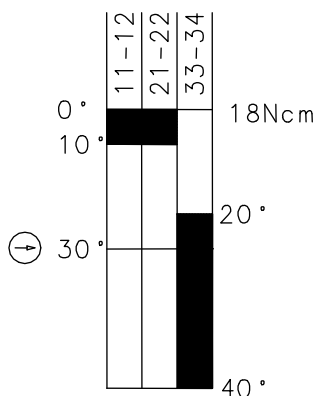
Description **GC-U15Z AHSGU**

Article number **6022535111**

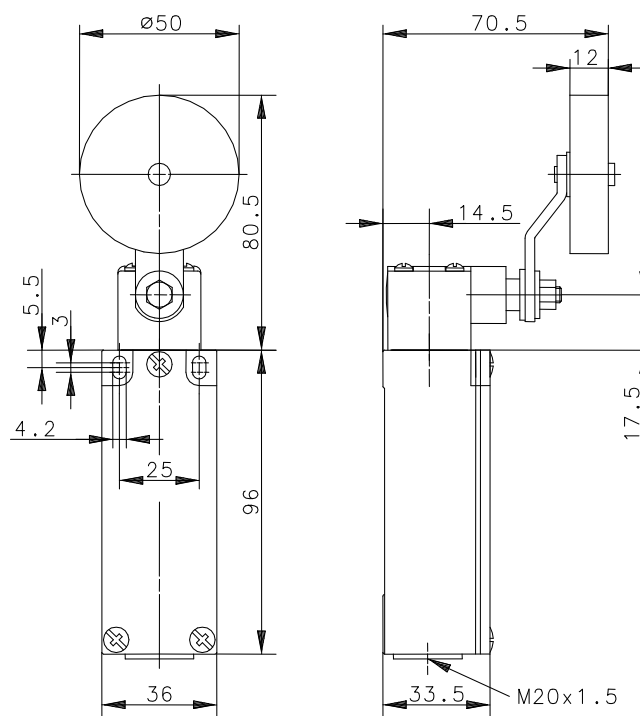
### Operating symbol



### Operating diagram



On  
 Off  
 Tolerance:  
 Operating point  $\pm 3,5^\circ$ ;  
 Actuating force  $\pm 10\%$



### Electrical Data

Rated insulation voltage	$U_i$	250 V AC
Conv. thermal current	$I_{the}$	5 A
Rated operational voltage	$U_e$	240 V
Utilization category		AC-15, $U_e/I_e$ 240 V / 1,5 A
Direct opening action	$\ominus$	acc. to IEC/EN 60947-5-1, Annex K
Short-circuit protective device		Fuse 6 A gG
Protection class		I

<b>Mechanical data</b>	
Enclosure	Die-cast aluminium
Cover	Sheet aluminium
Actuator	Lever arm housing (Zn-DG), lever (st), roller (rubber)
Ambient air temperature	-30 °C ... +80 °C
Contact type	2 NC, 1 NO (Za)
Mechanical life	1 x 10 <sup>6</sup> operating cycles
Switching frequency	≤ 100 / min.
Assembly	2 x M4
Connection	6 screw connections (M3)
Conductor cross-sections	Solid: 0,5 ... 1,5 mm <sup>2</sup> or Litz wire with ferrules: 0,5 ... 1,5 mm <sup>2</sup>
Cable entrance	1 x M20 x 1,5
Weight	≈ 0,31 kg
Installation position	operator definable
Protection type	IP65 acc. to IEC/EN 60529

<b>Actuation</b>
<p>The actuating device is preferably started from 2 sides. By loosening the 4 screws the actuation assembly can be rotated in 90 degree increments such that 8 actuation directions are possible. The actuation assembly is to be again fastened to the housing using the 4 screws.</p>

<b>Standards</b>
VDE 0660 T100, DIN EN 60947-1, IEC 60947-1
VDE 0660 T200, DIN EN 60947-5-1, IEC 60947-5-1

<b>EU Conformity</b>
acc. to directive 2014/35/EU (Low-Voltage-Directive)

<b>Notes</b>
<p>The switch must not be used as a stop. The degree of protection (IP code) specified applies solely to a property closed cover and the use of an equivalent cable gland with adequate cable.</p>