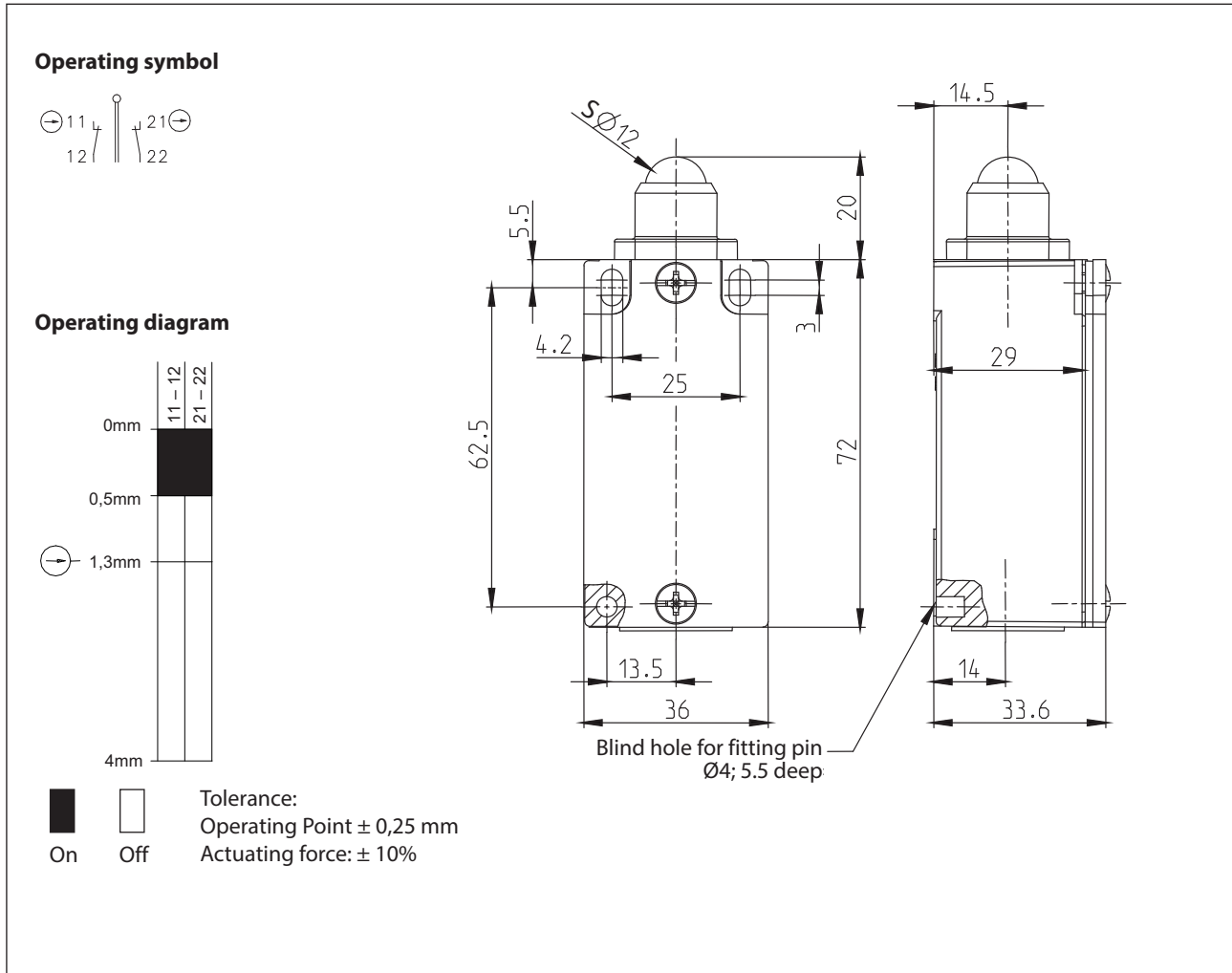


## Metal bodied limit switch Series GC

Description **GC-A2Z KU**

Article number **6021810124**



### Electrical Data

Rated insulation voltage	$U_i$	400 V AC
Conv. thermal current	$I_{the}$	6 A
Rated operational voltage	$U_e$	240 V AC
Utilization category		AC-15, $U_e/I_e$ 240 V / 1,5 A
Direct opening action	$\ominus$	acc. IEC/EN 60947-5-1, annex K
Short-circuit protective device		Fuse 6 A gG
Protection class		I

<b>Mechanical data</b>	
Enclosure	Die-cast aluminium
Cover	Sheet aluminium
Actuator	Roller ball (Niro)
Ambient air temperature	-30 °C ... +80 °C
Contact type	2 NC (B)
Mechanical life	1 x 10 <sup>5</sup> operating cycles
Switching frequency	≤ 100 / min.
Assembly	2 x M4
Connection	4 screw connections (M3)
Conductor cross-sections	Solid: 0,5 ... 1,5 mm <sup>2</sup> or Litz wire with ferrules: 0,5 ... 1,5 mm <sup>2</sup>
Cable entrance	1 x cable gland M20 x 1,5
Weight	≈ 0,154 kg
Installation position	operator definable
Protection type	IP65 acc. to IEC/EN 60529

<b>Actuation</b>
The push bolt actuator is mainly intended to be actuated along it's axis. Side actuation will considerably reduce switch life.

<b>Standards</b>
VDE 0660 T100, DIN EN 60947-1, IEC 60947-1
VDE 0660 T200, DIN EN 60947-5-1, IEC 60947-5-1

<b>EU Conformity</b>
acc. to directive 2014/35/EU

<b>Notes</b>
The switch must not be used as a stop. The degree of protection (IP code) specified applies solely to a property closed cover and the use of an equivalent cable gland with adequate cable.