

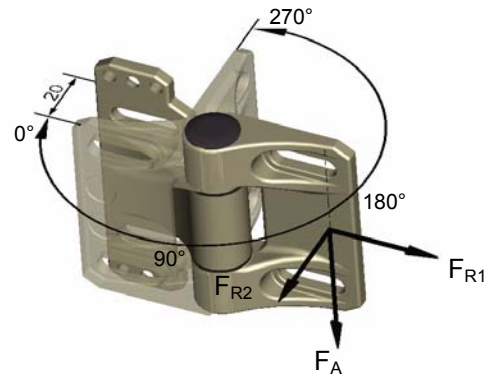
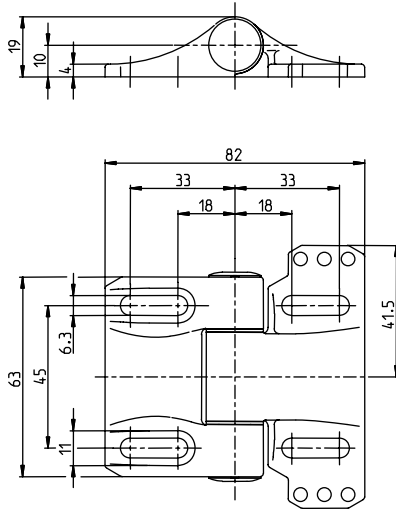
Technical Data

Accessory Safety switch

Series SHS3

Description **SHS3-Scharnier**

Article number **6019390038**



swivel range: 0° bis 270°

Mechanical Data

Hinge	Cast stainless steel
Ambient temperature	-25°C to +70°C (no freezing over / no condensation)
Mechanical life	10 ⁶ operations
Switching frequency	Max. 300 swiveling movements/h
Mounting	4 x M6 screws DIN EN ISO 7984
	On flat and stiff ground
Weight	≈ 0,27 kg
Mounting position	Any
Mechanical load	F_{R1} = max. 1800 N
(for direction of loaded forces see the illustration below)	F_{R2} = max. 750 N
	F_A = max. 1800 N

Notes

The safety guard shall always be mounted using two SHS3 at least! See max. load. If the risk assessment of the machine permits a single-channel monitoring a blank hinge can be used as bearing element.

High forces, unfavourable force application as well as dynamic loads can shorten the service life.

The connecting cable shall be protected against mechanical damages.

The installation of the connecting cable can be done via pipes or cable ducts.

The manufacturer / supplier of the machine / equipment is obliged to take the applicable standards for the calculation of the safety distances of separating safety guards to hazardous areas into account.

Especially these standards apply: EN 349, EN 953, EN 1088, DIN EN ISO 13857,

This document will not become the contractual basis; the details included herein do not constitute any descriptions of expected conditions, so that warranties/claims for defects on account of possible variations of the actual qualities from the qualities described herein are explicitly excluded. All rights reserved. Specifications subject to change without notice!

Date of issue: 17.01.2012 / Page 1 of 1
Document : 6019390038_en.doc / Last update: 4 / 2040-12