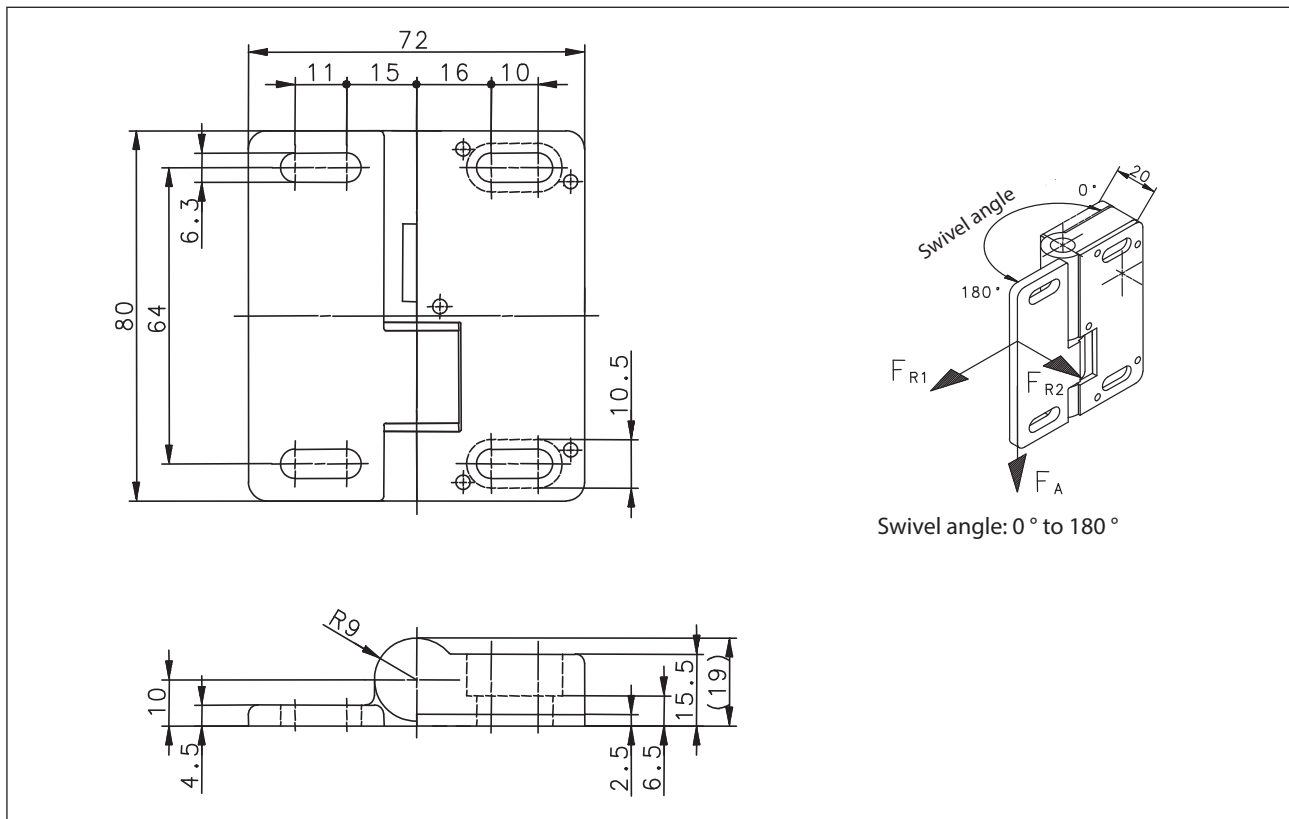


Safety switch

Series Safety Hinge Switch SHS (Empty hinge)

Description **SHS-0Z**

Article number **6019291013**



Mechanical data	
Enclosure	GD-Zn
Cover	GD-Zn
Wing	GD-Zn
Ambient air temperature	-25 °C bis +70 °C (cable securely laid)
Mechanical life	10 ⁶ swiveling movement
Swiveling movement	max. 1200 swiveling movement / hour
Attachment	4 x M6 screw DIN 7984 or DIN 6912
Weight	≈ 0,4 kg
Installation position	operator definable
Mechanical load	F_{R1} = max. 1000 N
(see dimensioned drawing for the introduction direction of the forces)	F_{R2} = max. 500 N
	F_A = max. 750 N

Notes

The safety guard shall always be mounted using two SHS at least! See max. load. If the risk assessment of the machine permits a single-channel monitoring a blank hinge can be used as bearing element.
High forces, unfavourable force application as well as dynamic loads can shorten the service life.
The connecting cable shall be protected against mechanical damages.
The installation of the connecting cable can be done via pipes or cable ducts.
The manufacturer / supplier of the machine / equipment is obliged to take the applicable standards for the calculation of the safety distances of separating safety guards to hazardous areas into account.
Especially these standards apply: EN 294, EN 394, EN 953, EN 1088, ...