



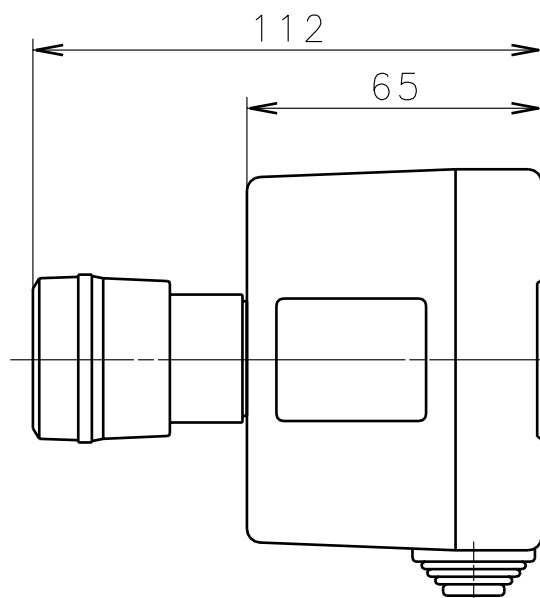
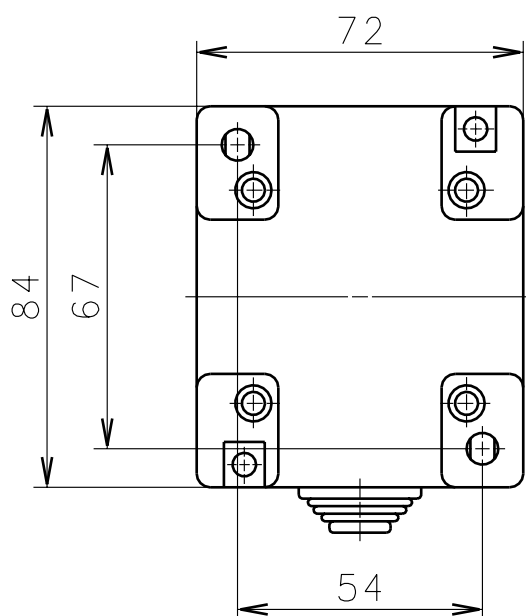
Bernstein

Bernstein AG
Postfach 1164
D-32437 Porta Westfalica

Technical data sheet

SNA-A1Z/E1 AP

601.9169.003



Contact travel: 6mm

Schutzvermerk nach DIN 34 beachten
Copyright reserved

Mechanical features	Electrical features
<p>Enclosure: Plastic Cover: Plastic Actuator: Plastic Ambient air temperature: -25°C up to +60°C Contact type: 1 NC-contact Mechanical life: 0.5x10⁵ switch operations Mounting: enclosure 2xM5 Cable entry size: 1 x self-sealing grommet Weight: approx. 0,23 kg Protection class (IP-Code): IP65 according to EN 60529, DIN VDE 0470 T1</p> <p>The planned protection class (IP-Code) is valid only at closed cover and when using an at least equivalent cable gland.</p>	<p>Rated insulation voltage: U_i= 660V Conventional thermal current: I_{thc}= 10A</p>
	Approvals
	Standards
	EN 418 VDE 0660 T200, EN 60947-5-1 ↻
Approach possibilities	Specials / Remarks
Actuate emergency stop button with the hand.	Turn the emergency stop button to reset the switching.