

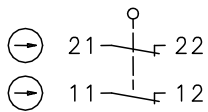
Safety switch

Series SLK – with separate actuator

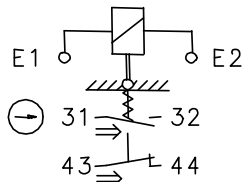
Description **SLK-M-NC-25-R0-A0-L0-0**

Article number **6018169053**

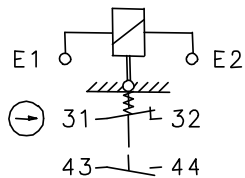
Position monitoring of guard locking
(not wired)



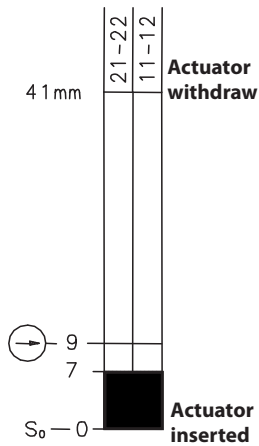
Termination electromagnet with contact position
E1, E2 without current



E1, E2 with current

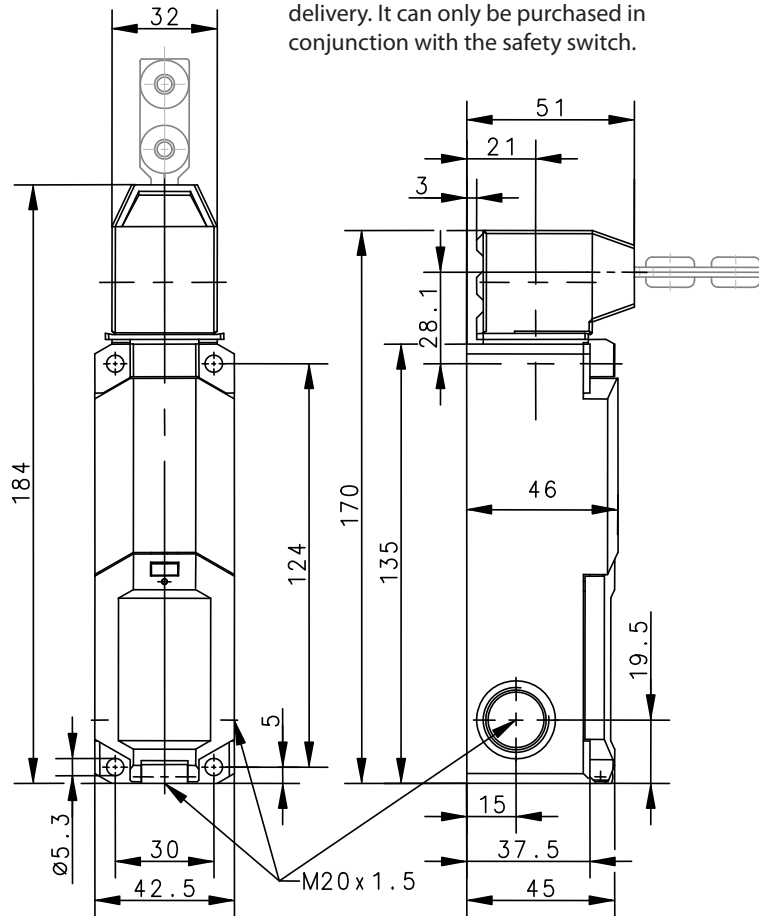


Operating diagram



On
 Off
 Tolerances:
 Actuating force: $\pm 15\%$

The actuator is not included in the scope of delivery. It can only be purchased in conjunction with the safety switch.



| Electrical data | |
|---------------------------------|--|
| Protection class | II, totally insulated |
| Contact elements | |
| Rated insulation voltage | U_i 250 V |
| Rated impulse withstand voltage | U_{imp} 2,5 kV |
| Conv. thermal current | I_{the} 5 A |
| Utilization category | AC-15, U_e / I_e 230 V / 2,5 A |
| Direct opening action | ⊖ according to IEC/EN 60947-5-1, Annex K |
| Short-circuit protective device | 4 A gG |
| Electro magnets | |
| Duty cycle | 100 % ED (at E1; E2) |
| Temperature class | F (155 °C) |
| Inrush power consumption | 65 VA (0,1 s) |
| Permanent power consumption | 8 VA |
| Switch operations permanent | 600 / h |
| Operating voltage | 110 / 230 V AC |

| Mechanical data | |
|--------------------------|--|
| Enclosure | Thermoplastic, glass fibre reinforced (UL 94-V0) |
| Cover | Thermoplastic, glass fibre reinforced (UL 94-V0) |
| Actuating head | Thermoplastic, glass fibre reinforced / Zn-GD |
| Actuator | Separate actuator (Steel / PA) |
| Minimum actuating radius | R_{min} see separate actuators data sheet |
| Velocity for actuating | V_{max} 0,5 m/s |
| Extraction force | ≥ 27 N |
| Interlocking principle | Magnetic force |
| Unlocking | Spring force |
| Hold on force | F_{Zh} ≤ 1500 N acc. to GS-ET-19 |
| Ambient air temperature | -25 °C ... +70 °C |
| Contact type | 3 NC, 1 NO |
| Switching principle | 4 slow make and break contact elements |
| Mechanical life | 1 x 10 ⁶ switching cycles (at max. 600 switch operations / h) |
| Assembly | 4 x M5 |
| Connection | Spring-clamp connection |
| Conductor cross-sections | 0,5 ... 1,5 mm ² flexible |
| Cable entrance | 3 x M20 x 1,5 |
| Weight | ≈ 0,34 kg |
| Installation position | operator definable |
| Protection type | IP67 acc. to IEC/EN 60529 |

| ID for safety engineering | |
|----------------------------------|----------------------------|
| B10d | 2 x 10 ⁶ cycles |

| Actuation | |
|---|--|
| 4 different actuating directions achievable by rotating the actuating head. Changing between horizontal and vertical actuating direction by setting the actuating head in the requested direction. | |

| Standards | |
|-----------|--|
| | VDE 0660 T100, DIN EN 60947-1, IEC 60947-1 |
| | VDE 0660 T200, DIN EN 60947-5-1, IEC 60947-5-1 |
| | GS-ET-19 |
| | DIN EN ISO 13849-1 |

| EU Conformity | |
|---------------|--|
| | acc. to directive 2006/42/EC (Safety-of-Machinery-Directive) |

| Approvals | |
|-----------|---|
| | DGUV |
| | cCSA _{US} B300 (same polarity) |
| | CCC |

| Notes | |
|--|--|
| <p>The degree of protection (IP code) specified applies solely to a property closed cover and the use of an equivalent cable gland with adequate cable.</p> <p>The switch may not be used as a mechanical stop.</p> <p>In case that power is removed from the solenoid the safety switch will be no longer in a locked position! Operator can open the guard! Attention has to be given to the risks of the machine in this situation!</p> | |