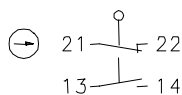


Series SLK – with separate actuator

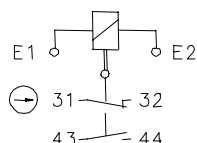
Description **SLK-FVTU24-230MC-51-ARL**

Article number **6018119014**

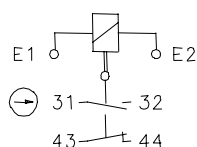
Position monitoring
of guard locking



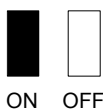
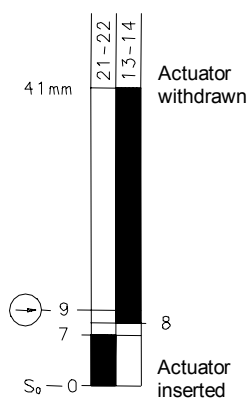
Termination electromagnet
with contact position
E1, E2 without current



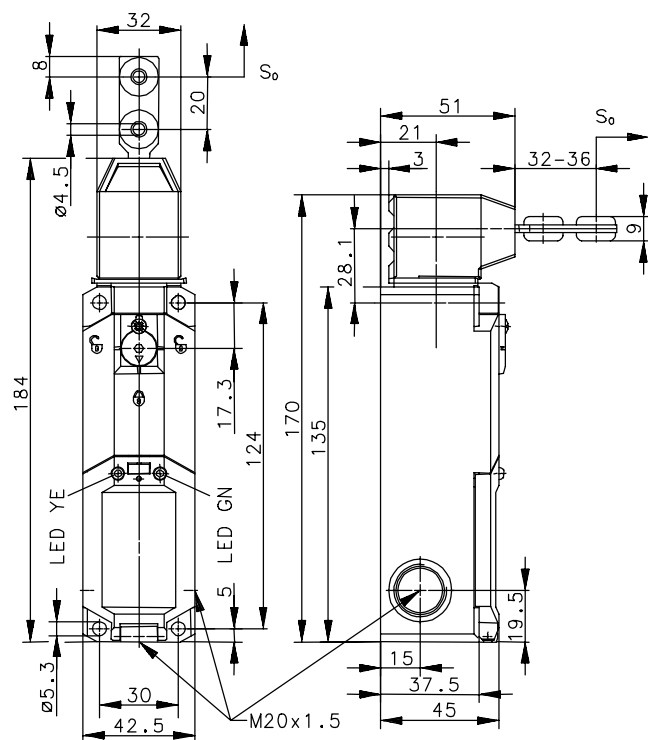
E1, E2 with current



Operating diagram



Tolerances
Actuating force: $\pm 15\%$



Electrical data

Protection class II, totally insulated

Contact elements

Rated insulation voltage U_i 250V
Conv. thermal current I_{the} 2,5A
Utilization category AC-15, U_e/I_e 230V/2,5A
Direct opening action \ominus according to IEC/EN 60947-5-1, Annex K
Short-circuit protective device 4A gL

Electro magnets

Duty cycle 100% ED (at E1; E2)
Temperature class B (130°C)
Inrush power consumption 56VA (0,2s)
Permanent power consumption 1,1VA
Switch operations permanent 600/h
Operating voltage 24V DC; 24, 110, 230V AC

This document will not become the contractual basis; the details included herein do not constitute any descriptions of expected conditions, so that warranties/claims for defects on account of possible variations of the actual qualities from the qualities described herein are explicitly excluded. All rights reserved. Specifications subject to change without notice!

| Mechanical data | | | |
|--------------------------|---|-----------|---------------------------------|
| Enclosure | Thermoplastic GV (UL94-V0) | | |
| Cover | Thermoplastic GV (UL94-V0) | | |
| Actuating head | Thermoplastic GV / Zn-GD | | |
| Actuator | Separate actuator with dust protector (St / PA) | | |
| | Minimum actuating radius | R_{min} | 400mm |
| | Velocity for actuating | V_{max} | 0,5 ^m / _s |
| | Extraction force | | ≥ 27N |
| Interlocking principle | Spring force | | |
| Unlocking | a) magnetic force b) auxiliary release | | |
| Hold on force | ≤ 1500N acc. to GS-ET-19 | | |
| | F_{zh} | | |
| Ambient air temperature | -25°C ... +70°C | | |
| Contact type | 2 NC 2 NO | | |
| Switching principle | 4 slow make and break contact elements | | |
| Mechanical life | 1 x 10 ⁶ switching cycles (at max. 600 switch operations / h) | | |
| Assembly | 4 x M5 | | |
| Connection | Cage tension spring | | |
| Conductor cross-sections | ≤ 1,5mm ² flexible | | |
| Cable entrance | 3 x M20x1,5 | | |
| Weight | ≈ 0,30kg | | |
| Installation position | Operator definable | | |
| Protection type | IP67 acc. to IEC/EN 60529 | | |

Actuation

4 different actuating directions achievable by rotating the actuating head.
Changing between horizontal and vertical actuating direction by setting the actuating head in the requested direction.

| | |
|------------------|--|
| Standards | VDE 0660 T100, DIN EN 60947-1, IEC 60947-1 |
| | VDE 0660 T200, DIN EN 60947-5-1, IEC 60947-5-1 |
| | GS-ET-19 |

| | |
|----------------------|-----------|
| EU Conformity | CE |
|----------------------|-----------|

| | |
|------------------|---|
| Approvals | BG |
| | cCSA _{US} B300 (same polarity) |

Notes

The degree of protection (IP code) specified applies solely to a property closed cover and the use of an equivalent cable gland with adequate cable.
The switch may not be used as a mechanical stop.
When power is removed from the electromagnet (solenoid) the safety guard will be in locked position.
To operate the manual release loosen the screw and turn the hexagonal nut 90°.