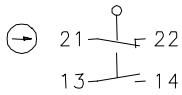


### Series SLK – with separate actuator

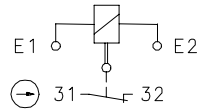
Description **SLK-FVTU24UC-51-ARL**

Article number **6018119011**

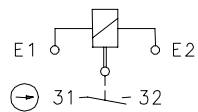
Position monitoring  
of guard locking



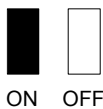
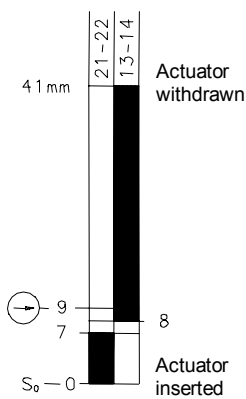
Termination electromagnet  
with contact position  
E1, E2 without current



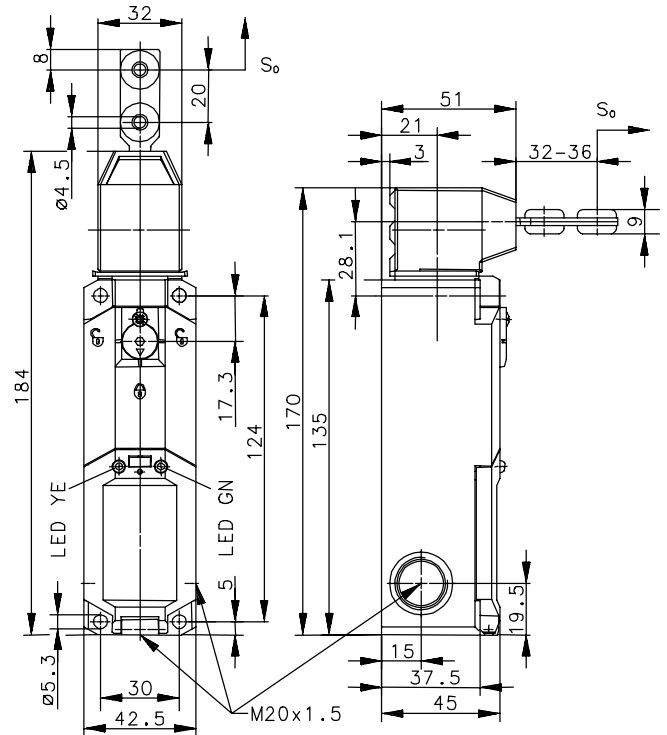
E1, E2 with current



Operating diagram



Tolerances  
Actuating force:  $\pm 15\%$



#### Electrical data

Protection class II, totally insulated

#### Contact elements

Rated insulation voltage	$U_i$	250V
Conv. thermal current	$I_{the}$	2,5A
Utilization category		AC-15, $U_e/I_e$ 230V/2,5A
Direct opening action	⊖	according to IEC/EN 60947-5-1, Annex K
Short-circuit protective device		4A gL

#### Electro magnets

Duty cycle	100% ED (at E1; E2)
Temperature class	B (130°C)
Inrush power consumption	56VA (0,2s)
Permanent power consumption	1,1VA
Switch operations permanent	600/h
Operating voltage	24V AC/DC

This document will not become the contractual basis; the details included herein do not constitute any descriptions of expected conditions, so that warranties/claims for defects on account of possible variations of the actual qualities from the qualities described herein are explicitly excluded. All rights reserved. Specifications subject to change without notice!

Date of issue: 05.04.2005 / Page 1 of 2  
Document : 6018119011\_en / Last update: 1 / 2236-05

Mechanical data			
Enclosure	Thermoplastic GV (UL94-V0)		
Cover	Thermoplastic GV (UL94-V0)		
Actuating head	Thermoplastic GV / Zn-GD		
Actuator	Separate actuator with dust protector (St / PA)		
	Minimum actuating radius	$R_{min}$	400mm
	Velocity for actuating	$V_{max}$	0,5 <sup>m</sup> / <sub>s</sub>
	Extraction force		≥ 27N
Interlocking principle	Spring force		
Unlocking	a) magnetic force b) auxiliary release		
Hold on force	≤ 1500N acc. to GS-ET-19		
	$F_{zh}$		
Ambient air temperature	-25°C ... +70°C		
Contact type	2 NC 1 NO		
Switching principle	3 slow make and break contact elements		
Mechanical life	1 x 10 <sup>6</sup> switching cycles (at max. 600 switch operations / h)		
Assembly	4 x M5		
Connection	Cage tension spring		
Conductor cross-sections	≤ 1,5mm <sup>2</sup> flexible		
Cable entrance	3 x M20x1,5		
Weight	≈ 0,30kg		
Installation position	Operator definable		
Protection type	IP67 acc. to IEC/EN 60529		

**Actuation**

4 different actuating directions achievable by rotating the actuating head.  
Changing between horizontal and vertical actuating direction by setting the actuating head in the requested direction.

<b>Standards</b>	VDE 0660 T100, DIN EN 60947-1, IEC 60947-1
	VDE 0660 T200, DIN EN 60947-5-1, IEC 60947-5-1
	GS-ET-19

<b>EU Conformity</b>	<b>CE</b>
----------------------	-----------

<b>Approvals</b>	BG
	cCSA <sub>US</sub> B300 (same polarity)

**Notes**

The degree of protection (IP code) specified applies solely to a property closed cover and the use of an equivalent cable gland with adequate cable.  
The switch may not be used as a mechanical stop.  
When power is removed from the electromagnet (solenoid) the safety guard will be in locked position.  
To operate the manual release loosen the screw and turn the hexagonal nut 90°.