

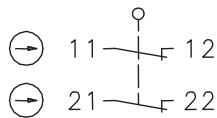
Safety switch

Series SKI – with separate actuator

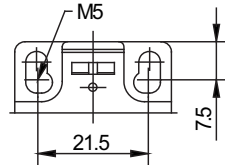
Description **SKI-A2Z**

Article number **6016869169**

Operating symbol

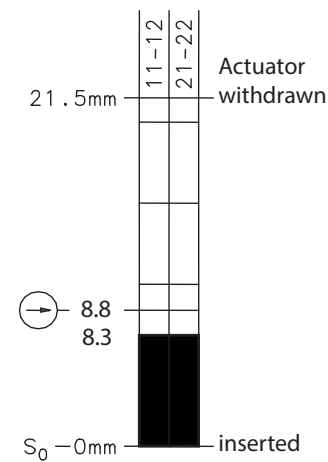


Fixed positioning with e.g. fixing screw M5 according to the standard DIN EN ISO 4762.

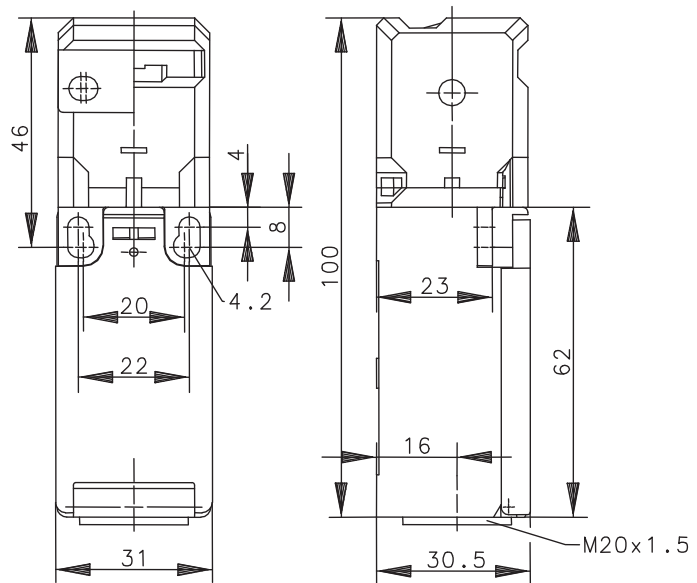


The actuator is not included in the delivery and must be ordered separately. Technical specifications are only valid in connection with the actuator Bernstein-Art.-No.: 3112850340

Operating diagram



On
 Off
 Tolerance:
 Operating Point $\pm 0,25$ mm;
 Operating force ± 10 %

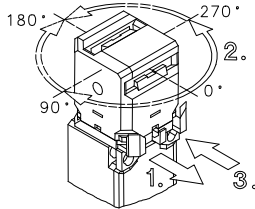


Electrical Data

| | | |
|---------------------------------|---------------|-----------------------------------|
| Rated insulation voltage | U_i | 250 V AC |
| Conv. thermal current | I_{the} | 5 A |
| Utilization category | | AC-15, U_e/I_e 240 V / 1,5 A |
| Direct opening action | \rightarrow | acc. to IEC/EN 60947-5-1, annex K |
| Short-circuit protective device | | Fuse 6 A gG |
| Protection class | | II, totally insulated |

| Mechanical data | |
|--------------------------|---|
| Enclosure | Thermoplastic, glass fibre reinforced (UL 94-V0) |
| Cover | Thermoplastic, glass fibre reinforced (UL 94-V0) |
| Actuator | Separate actuator (not included in the delivery) |
| Extraction force | 10 N |
| Ambient air temperature | -30° C ... +80° C |
| Contact type | 2 NC |
| Mechanical life | 1 x 10 ⁶ operating cycles |
| Switching frequency | ≤ 30 / min. |
| Assembly | Safety switch 2 x M4 |
| | Actuator 2 x M4 |
| Connection | 4 screw connections (M3) |
| Conductor cross-sections | Solid: 0,5 ... 1,5 mm ² or Litz wire with ferrules: 0,5 ... 1,5 mm ² |
| Cable entrance | 1 x M20 x 1,5 |
| Weight | ≈ 0,11 kg |
| Installation position | operator definable |
| Protection type | IP65 acc. to IEC/EN 60529 |

| ID for safety engineering | |
|---------------------------|--------------------------------------|
| B10d | 2 x 10 ⁶ switching cycles |

| Actuation | |
|---|---|
| To achieve the 8 different actuator points please follow the next instructions | |
| <ol style="list-style-type: none"> (1) pull fixing clamp (2) turn actuator (3) push fixing clamp |  |

| Standards | |
|-----------|--|
| | VDE 0660 T100, DIN EN 60947-1, IEC 60947-1 |
| | VDE 0660 T200, DIN EN 60947-5-1, IEC 60947-5-1 |
| | DIN EN ISO 13849-1 |

| EU Conformity | |
|---------------|------------------------------|
| | acc. to directive 2006/42/EC |

| Approvals | |
|-----------|---|
| | cCSA _{US} B300 (same polarity) |

Notes

The degree of protection (IP code) specified applies solely to a properly closed cover and the use of an equivalent cable gland with adequate cable.

The switch may not be used as a mechanical stop.

Radial actuation may reduce the mechanical life.

The min. radius refers to a pivot at the top of the cap (S0).

Tapped holes not in use must be closed with blind plugs.

