

# Technical Data

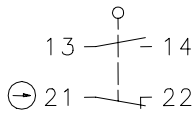
## Safety switch

### Series SKT – with separate actuator

Description **SKT-SU1Z M3**

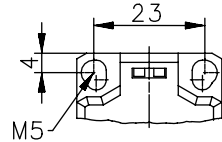
Article number **6016419060**

#### Operating symbol

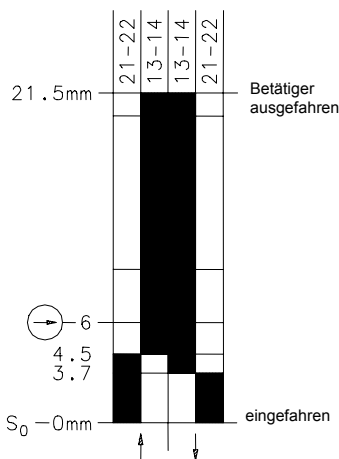


Fixed positioning for safety applications.

Mounting screw according to DIN 912 M5

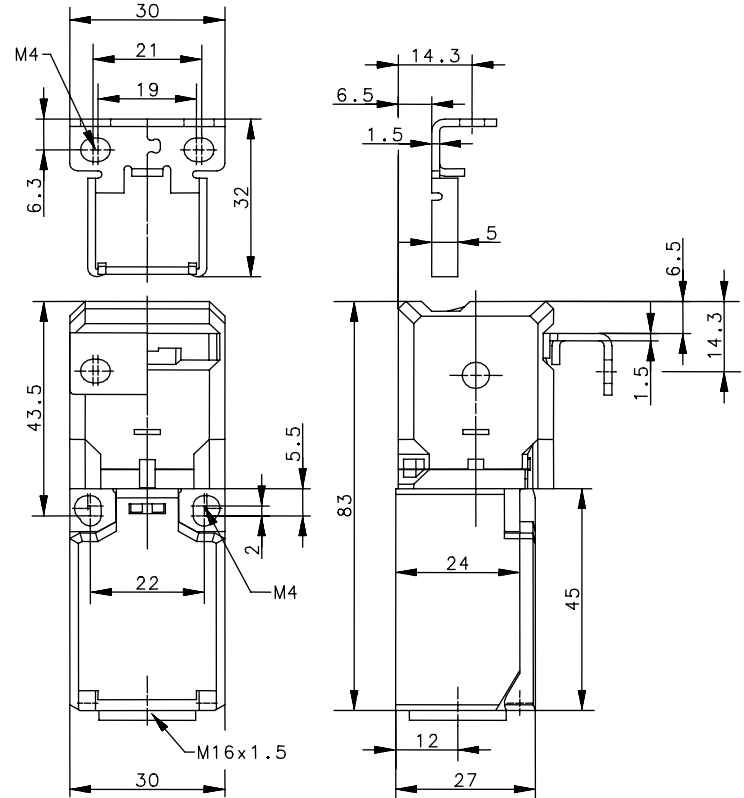


#### Operating diagram



**Tolerances**  
 Operating point:  $\pm 0,25\text{mm}$ ;  
 Operating force:  $\pm 10\%$

ON OFF



#### Electrical data

Rated insulation voltage	$U_i$	250 V AC
Conv. thermal current	$I_{the}$	10 A
Utilization category		AC-15, $U_e / I_e$ 240 V/3 A
Direct opening action	$\oplus$	according to IEC/EN 60947-5-1, Annex K
Short-circuit protective device		Fuse 6 A gL/gG
Protection class		II, totally insulated

This document will not become the contractual basis; the details included herein do not constitute any descriptions of expected conditions, so that warranties/claims for defects on account of possible variations of the actual qualities from the qualities described herein are explicitly excluded. All rights reserved. Specifications subject to change without notice!

Date of issue: 02.04.2009 / Page 1 of 2  
 Document : 6016419060\_en.doc / Last update: 1 / 2224-09

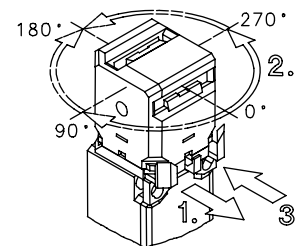
### Mechanical data

Enclosure	Thermoplastic, glass fibre reinforced (UL94-V0)
Cover	Thermoplastic, glass fibre reinforced (UL94-V0)
Actuator	Separate actuator (metal)
Ambient air temperature	-30°C ... +80°C
Contact type	1 NC, 1 NO (Zb)
Mechanical life	1 x 10 <sup>6</sup> switch operations
Switching frequency	≤ 30 / min.
Assembly	Safety switch Actuator
	2 x M4 2 x M4
Connection	4 screw connections (M3,5)
Conductor cross-sections	Solid: 0,5 ... 1,5mm <sup>2</sup> Litz wire with ferrules: 0,5 ... 1,5mm <sup>2</sup>
Cable entrance	1 x M16 x 1,5
Weight	≈ 0,09kg
Installation position	Operator definable
Protection type	IP65 acc. to IEC/EN 60529

### Actuation

To achieve the 8 different actuator points please follow the next instructions

- (1) pull fixing clamp
- (2) turn actuator
- (3) push fixing clamp



### Standards

VDE 0660 T100, DIN EN 60947-1, IEC 60947-1  
VDE 0660 T200, DIN EN 60947-5-1, IEC 60947-5-1  
GS-ET 15

### EU Conformity

CE

### Approvals

BG  
UL/CSA A300 (same polarity)

### Notes

The degree of protection (IP code) specified applies solely to a property closed cover and the use of an equivalent cable gland with adequate cable.

The switch may not be used as a mechanical stop.

Tapped holes not in use must be closed with blind plugs.