

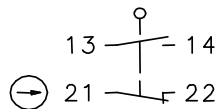
Safety switch

Series SKT- with separate actuator

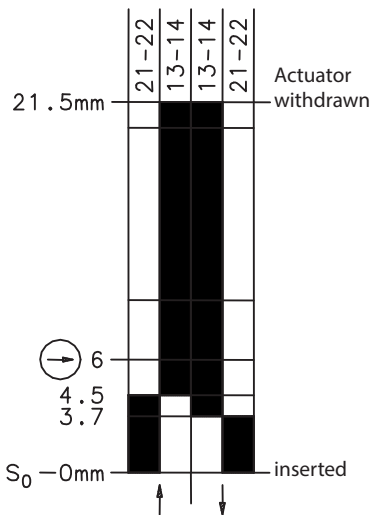
Description **SKT-SU1Z F150 M3**

Article number **6016409150**

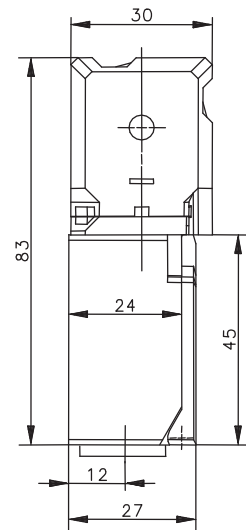
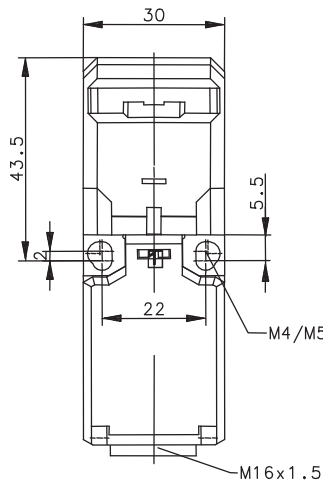
Operating symbol



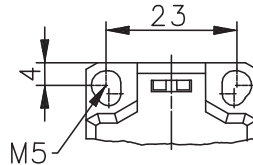
Operating diagram



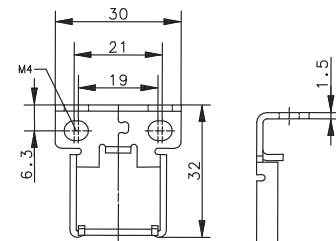
On
 Off
 Tolerance:
 Operating Point ± 0,25 mm;
 Operating force ± 10 %



Fixed positioning for safety applications
 Mounting screw according to DIN 912 M5

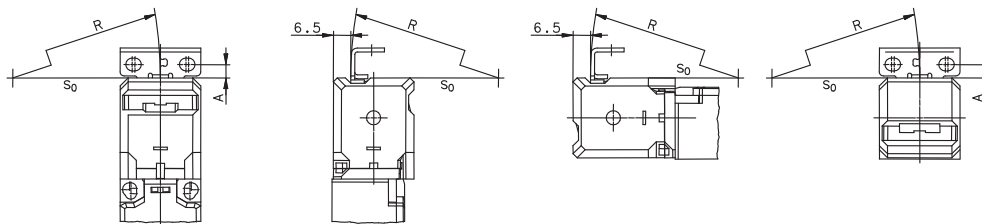


Actuator M3



To prevent manipulation of the actuator, The unclosed safety screw must be used (M4x8)

Radial actuation / dimensions

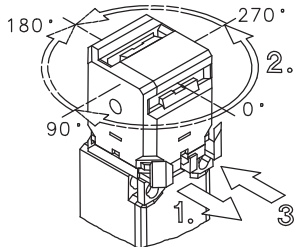


A = 5mm, R ≥ 150mm
 The min. radius refers to a pivot at the top of the cap (S₀)

| Electrical Data | | |
|---------------------------------|-----------|---|
| Rated insulation voltage | U_i | 250 V |
| Conv. thermal current | I_{the} | 10 A |
| Rated operational voltage | U_e | 240 V AC; 250 V DC |
| Utilization category | | AC-15, U_e / I_e 240 V / 3 A; DC-13, U_e / I_e 250 V / 0,27 A |
| Direct opening action | \ominus | according to IEC/EN 60947-5-1, Annex K |
| Short-circuit protective device | | Fuse 6 A gG |
| Protection class | | II, totally insulated |

| Mechanical data | | |
|--------------------------|---------------|--|
| Enclosure | | PBT |
| Cover | | PA 6.6 |
| Actuator | | Separate actuator (St-stainless steel) |
| Extraction force | | 50 N |
| Ambient air temperature | | -30 °C ... +80 °C |
| Contact type | | 1 NC, 1 NO (Zb) |
| Mechanical life | | 1 x 10 ⁵ switch operations |
| Switching frequency | | ≤ 30 / min. |
| Assembly | Safety switch | 2 x M4 or M5 |
| | Actuator | 2 x M4 (supplied) |
| Connection | | screw connections (M3,5) |
| Conductor cross-sections | | Solid: 0,5 ... 1,5 mm ² Litz wire with ferrules: 0,5 ... 1,5 mm ² |
| Cable entrance | | 1 x M16 x 1,5 |
| Weight | | ≈ 0,09 kg |
| Protection type | | IP65 acc. to IEC/EN 60529 |

| ID for safety engineering | |
|---------------------------|--------------------------------------|
| B10d | 2 x 10 ⁵ switching cycles |

| Actuation | |
|---|---|
| <ol style="list-style-type: none"> draw clasp out turn actuator head (4 x 90° rotation) press-on clasp |  |

| Standards | |
|-----------|--|
| | VDE 0660 T100, DIN EN 60947-1, IEC 60947-1 |
| | VDE 0660 T200, DIN EN 60947-5-1, IEC 60947-5-1 |
| | DIN EN ISO 13849-1 |

| EU Conformity | |
|---------------|------------------------------|
| | acc. to directive 2006/42/EC |

| Approvals | |
|--------------------|-------------------------------|
| | TÜV Rheinland, Product Safety |
| | CCC |
| cCSA _{US} | A300, Q300 (same polarity) |

| Notes |
|--|
| <p>Radial actuation may reduce the mechanical life. Unused actuator entry slot must be covered by the plug. The switch may not be used as a mechanical stop.</p> <p>The degree of protection (IP code) specified applies solely to a property closed cover and the use of an equivalent cable gland with adequate cable.</p> |