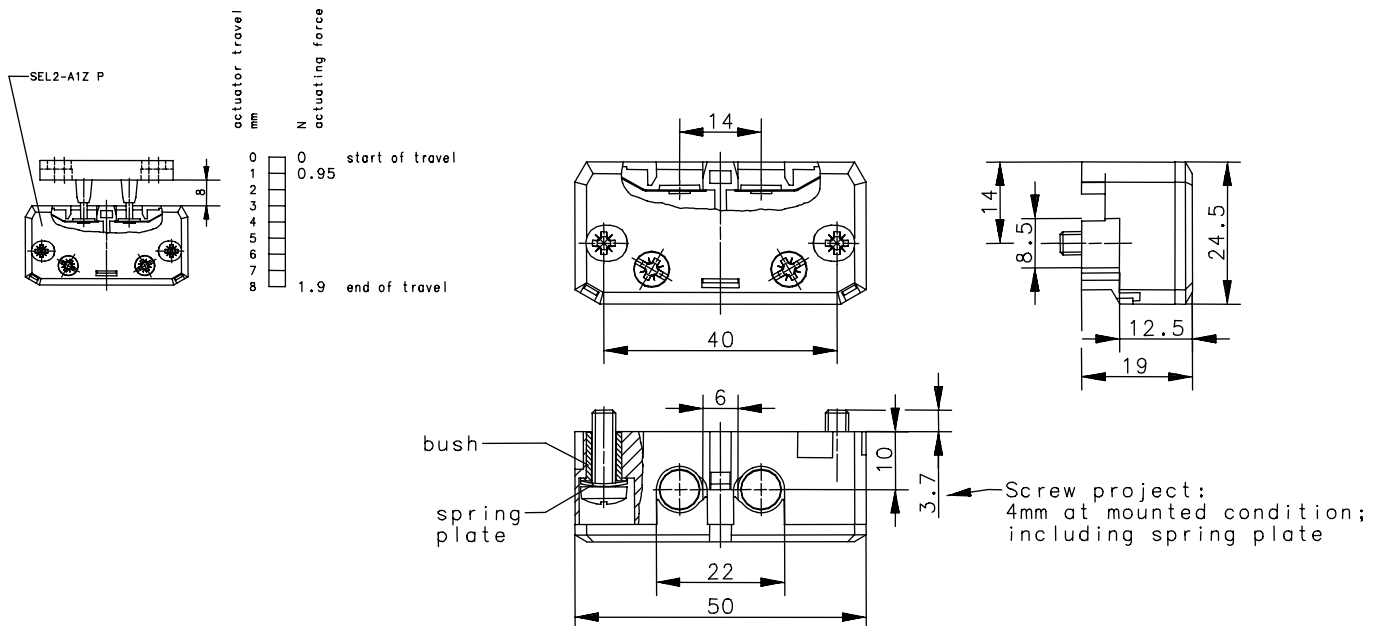


### Series SEL2 – with separate actuator

Description **SEL2-A1Z P**

Article number **6016369047**



#### Electrical data

Conv. thermal current	$I_{the}$	4A
Rated operational voltage	$U_e$	230V AC; 200V DC (according to EN 81-1, -2)
Rated operational current	$I_e$	2A (according to EN 81-1, -2)
Short-circuit protective device		Fuse 6A gL

This document will not become the contractual basis; the details included herein do not constitute any descriptions of expected conditions, so that warranties/claims for defects on account of possible variations of the actual qualities from the qualities described herein are explicitly excluded. All rights reserved. Specifications subject to change without notice!

Date of issue: 15.02.2006 / Page 1 of 2  
 Document : 6016369047\_en / Last update: 1 / 2179-06

<b>Mechanical data</b>	
Enclosure	PC (UL 94-V0) transparent
Cover	PC (UL 94-V0) transparent
Ambient air temperature	-30°C ... +70°C
Contact type	1 N.C.
Mechanical life	10 x 10 <sup>6</sup> switching cycles
Switching frequency	≤ 30 / min.
Assembly Safety switch	2 x M4 thread rolling captive screws according to DIN 7500
Connection	2 screw connections (M3,5)
Conductor cross-sections	Solid: 0,5 ... 1,5mm <sup>2</sup> Litz wire with ferrules: 0,5 ... 1,5mm <sup>2</sup>
Weight	≈ 0,02kg
Installation position	Operator definable
Protection type	IP20 acc. to IEC/EN 60529
<b>Standards</b>	
	VDE 0660 T100, DIN EN 60947-1, IEC 60947-1 VDE 0660 T200, DIN EN 60947-5-1, IEC 60947-5-1 EN 81-1 and EN81-2 Release 1998
<b>EU Conformity</b>	
	<b>CE</b>
<b>Approvals</b>	
	TÜV-Süd G359 TÜV AT1-TV-99/7 cCSAus 2A, 230V AC, 60Hz, 2A, 200V DC cULus 2A, 230V AC, 60Hz, 2A, 200V DC ASME A17.1-1996 B44-M90

### Notes

Protection class (IP-code) only valid with inserted actuator.  
Do not use switch as end stop.

Door switch to be used in elevator doors.