

Technical Data

Safety switch

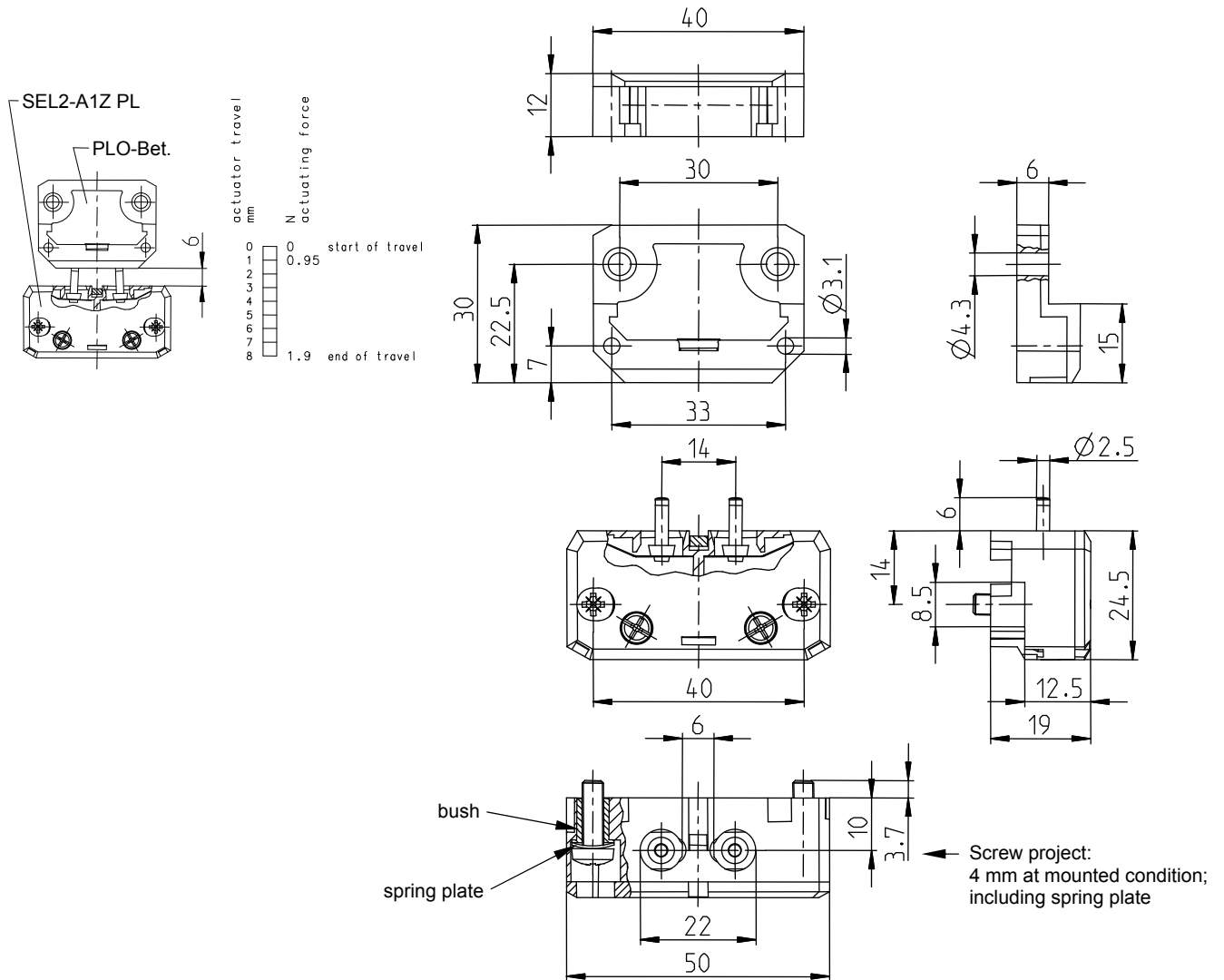
Series SEL – with separate actuator

Description

SEL2-A1Z PL0

Article number

6016369031



Electrical data

Conv. thermal current	I_{the}	4 A
Rated operational voltage	U_e	230 V AC; 200 V DC (according to EN 81-1, -2)
Rated operational current	I_e	2 A (according to EN 81-1, -2)
Direct opening action	⊖	acc. to IEC/EN 60947-5-1, Annex K
Gap between NC-contacts	⊕	DIN EN 81
Short-circuit protective device		Fuse 6 A gL

This document will not become the contractual basis; the details included herein do not constitute any descriptions of expected conditions, so that warranties/claims for defects on account of possible variations of the actual qualities from the qualities described herein are explicitly excluded. All rights reserved. Specifications subject to change without notice!

Date of issue: 23.08.2012 / Page 1 of 2
Document : 6016369031_en / Last update: 2 / 2435-11

Technical Data

Safety switch



Mechanical data	
Enclosure	PC (UL 94-V0) red
Cover	PC (UL 94-V0) transparent
Actuator	Separate actuator (PA66 Ultramid A3X2G5)
Ambient air temperature	-30 °C ... +70 °C
Contact type	1 N.C.
Mechanical life	10 x 10 ⁶ switching cycles
Switching frequency	≤ 30 / min.
Assembly	Safety switch
	2 x M4 thread rolling captive screws according to DIN 7500
	Actuator
	2 x M4
Connection	2 screw connections (M3,5)
Conductor cross-sections	Solid: 0,5 ... 1,5 mm ² Litz wire with ferrules: 0,5 ... 1,5 mm ²
Weight	≈ 0,03 kg
Installation position	Operator definable
Protection type	IP00 acc. to IEC/EN 60529
Standards	
	VDE 0660 T100, DIN EN 60947-1, IEC 60947-1
	VDE 0660 T200, DIN EN 60947-5-1, IEC 60947-5-1
	EN 81-1 and EN 81-2
EU Conformity	
	acc. to directive 95/16/EC
	acc. to directive 2006/95/EC
Approvals	
	TÜV Süd
	cCSAus
	ASME

Notes

Do not use switch as end stop.

Door switch to be used in elevator doors.

This document will not become the contractual basis; the details included herein do not constitute any descriptions of expected conditions, so that warranties/claims for defects on account of possible variations of the actual qualities from the qualities described herein are explicitly excluded. All rights reserved. Specifications subject to change without notice!

Date of issue: 23.08.2012 / Page 2 of 2
Document : 6016369031_en / Last update: 2 / 2435-11