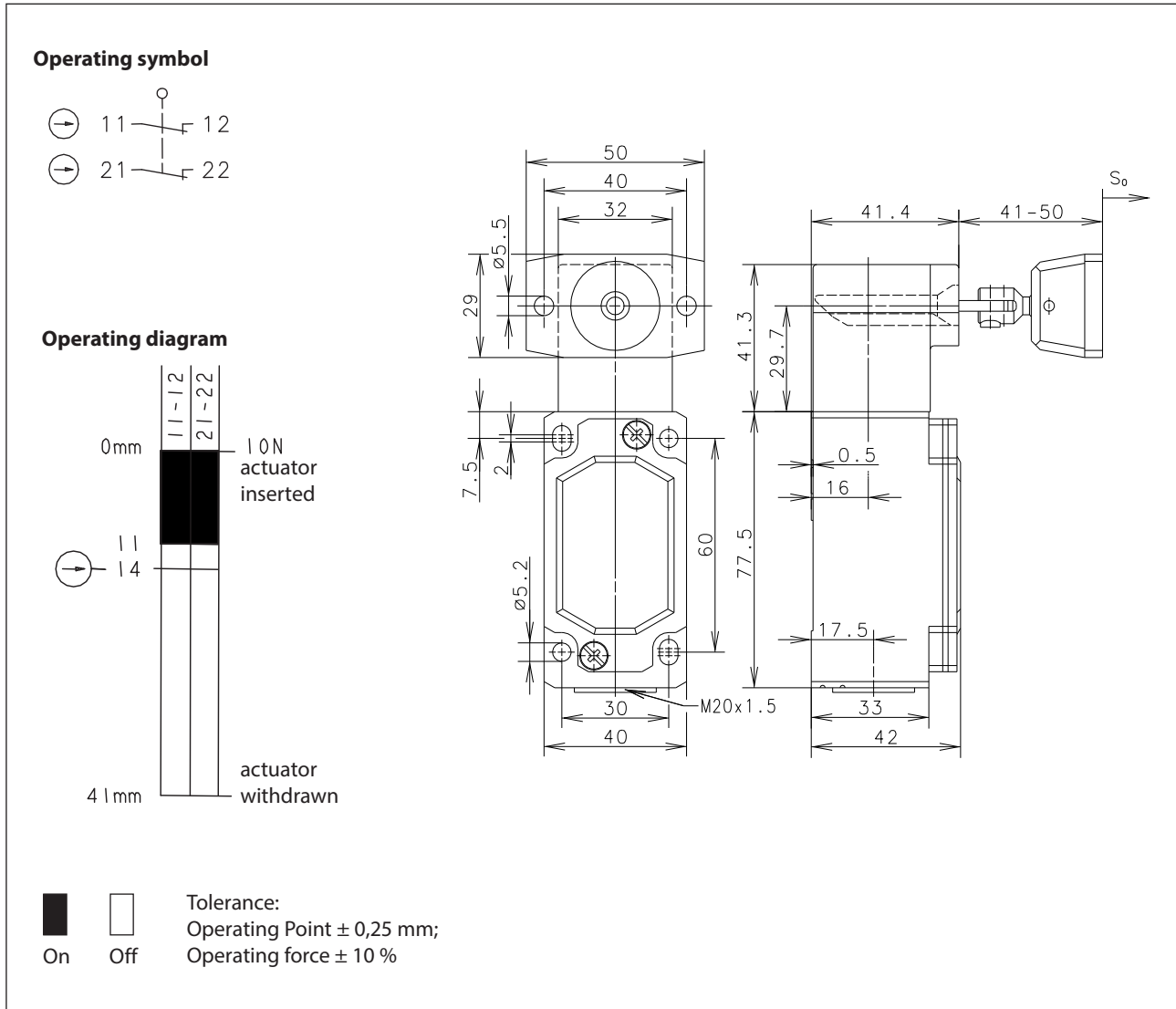


Metal bodied limit switch Series ENM2

Description **ENM2-A2Z VTWR**

Article number **6016269106**



Electrical Data

| | | |
|---------------------------------|-----------|-----------------------------------|
| Rated insulation voltage | U_i | 400 V AC |
| Conv. thermal current | I_{the} | 10 A |
| Rated operational voltage | U_e | 240 V |
| Utilization category | | AC-15, U_e/I_e 240 V / 3 A |
| Direct opening action | \ominus | acc. to IEC/EN 60947-5-1, annex K |
| Short-circuit protective device | | Fuse 6 A gG |
| Protection class | | I |

| Mechanical data | |
|--------------------------|---|
| Enclosure | Die-cast aluminium |
| Cover | Sheet aluminium |
| Actuator | Separate actuator (St / PA) |
| Minimum actuating radius | R_{min} 150 mm |
| Velocity for actuating | V_{max} $\leq 1,5$ m/s |
| Extraction force | ≤ 22 N |
| Ambient air temperature | -30 °C ... +80 °C |
| Contact type | 2 N.C. (Zb) |
| Mechanical life | 1 x 10 ⁶ operating cycles |
| Switching frequency | ≤ 50 / min. |
| Assembly | 4 x M5 |
| Connection | 4 screw connections (M3,5) |
| Conductor cross-sections | Solid: 0,5 ... 1,5 mm ² or Litz wire with ferrules: 0,5 ... 1,5 mm ² |
| Cable entrance | 1 x M20 x 1,5 |
| Weight | $\approx 0,42$ kg |
| Installation position | operator definable |
| Protection type | IP65 acc. to EN 60529 |

| ID for safety engineering | |
|---------------------------|----------------------------|
| B10d | 2 x 10 ⁶ cycles |

| Standards | |
|-----------|--|
| | VDE 0660 T100, DIN EN 60947-1, IEC 60947-1 |
| | VDE 0660 T200, DIN EN 60947-5-1, IEC 60947-5-1 |
| | DIN EN ISO 13849-1 |

| EU Conformity | |
|---------------|------------------------------|
| | acc. to directive 2006/42/EC |

| Approvals | |
|-----------|-------------------------------------|
| | $c_{CSA_{US}}$ A300 (same polarity) |
| | CCC |
| | DGUV |

| Notes | |
|--|--|
| The degree of protection specified (IP code) applies only to a properly closed cover and the use of an equivalent cable gland. | |