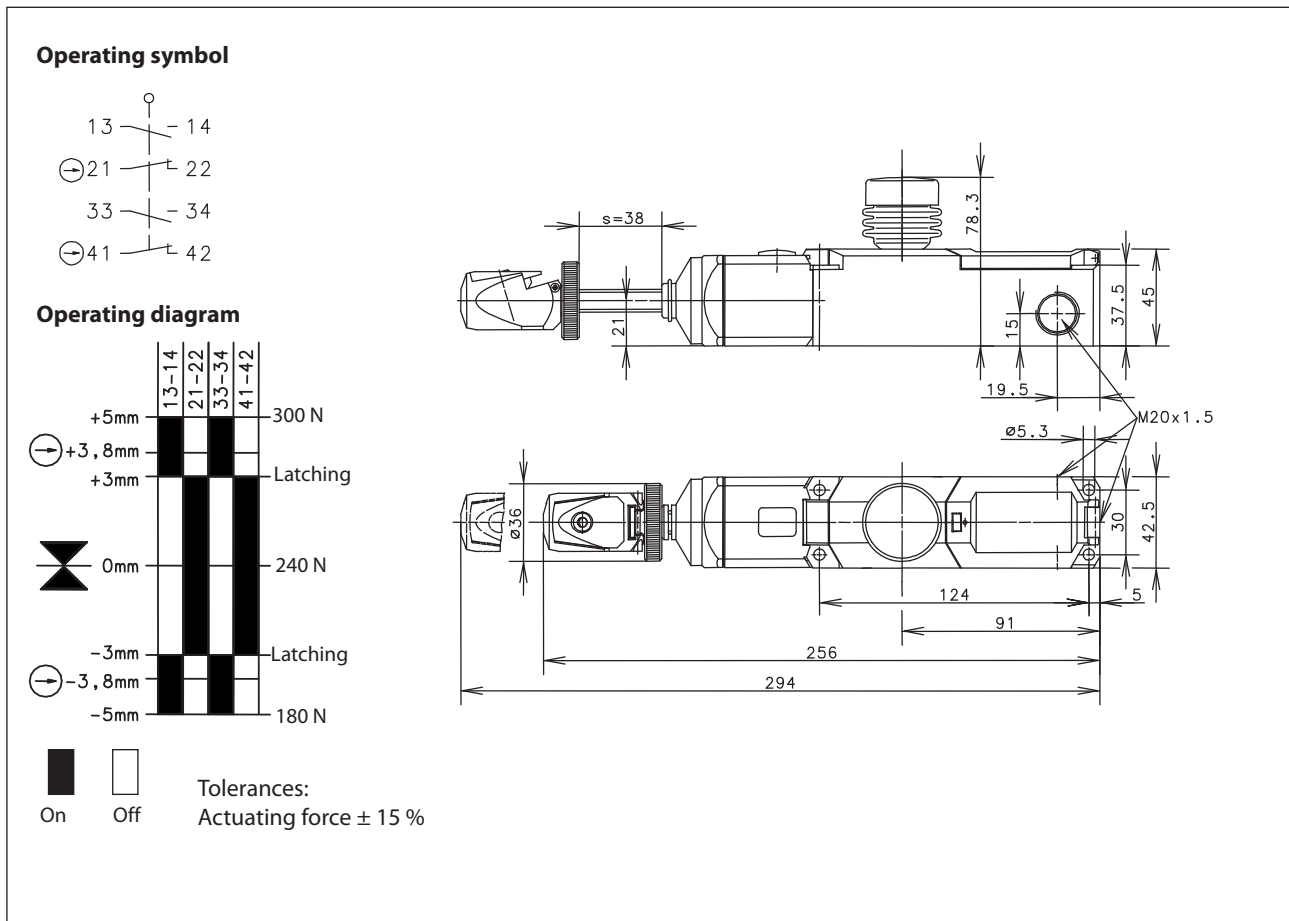


Rope pull switch Series SR

Description **SR-U2Z-QF 300**

Article number **6011629028**



| Electrical data | | |
|---------------------------------|---------------|-----------------------------------|
| Rated insulation voltage | U_i | 250 V AC |
| Rated impulse withstand voltage | U_{imp} | 2,5 KV |
| Conv. thermal current | I_{the} | 10 A |
| Rated operational voltage | U_e | 240 V |
| Utilization category | | AC-15, U_e / I_e 240 V / 3 A |
| Direct opening action | \rightarrow | acc. to IEC/EN 60947-5-1, Annex K |
| Short-circuit protective device | | Fuse 6 A gG |
| Protection class | | II, totally insulated |

| Mechanical data | |
|-------------------------|---|
| Enclosure | PA 6 GV (UL94-V0) |
| Cover | PA 6 GV (UL94-V0) |
| Actuator | zinc die casting / steel |
| Latching device | acc. to IEC 60947-5-5, DIN EN 60947-5-5, ISO 13850 (DIN EN 418) |
| Reset facility | pulling blue button |
| Ambient air temperature | -25 °C ... +70 °C |
| Contact type | 2 NC, 2 NO (Zb) |
| Mechanical life | acc. to IEC 60947-5-5 |
| Rope length | ≤ 75 m |
| Rope Ø | D = Ø 2 - 5 mm |
| Switching frequency | ≤ 20 / min. |
| Assembly | 4 x M5 |
| Connection | 8 x cage clamp max. 1,5 mm ² flex |
| Cable entrance | 3 x M20 x1,5 |
| Weight | ≈ 0,65 kg |
| Installation position | operator definable |
| Protection type | IP67 acc. to IEC/EN 60529 |

| Standards | |
|-----------|--|
| | VDE 0660 T100, DIN EN 60947-1, IEC 60947-1 |
| | VDE 0660 T200, DIN EN 60947-5-1, IEC 60947-5-1 |
| | VDE 0660 T210, DIN EN 60947-5-5, IEC 60947-5-5 |
| | ISO 13850 |

| EU Conformity | |
|---------------|------------------------------|
| | acc. to directive 2006/95/EC |

| Approvals | |
|-----------|--|
| | BG |
| | CSA _{US} A300 (same polarity) |

| Notes | |
|--|--|
| The degree of protection (IP code) specified applies solely to a property closed cover and the use of an equivalent cable gland with adequate cable. | |
| Rope with accessories is available on demand. | |