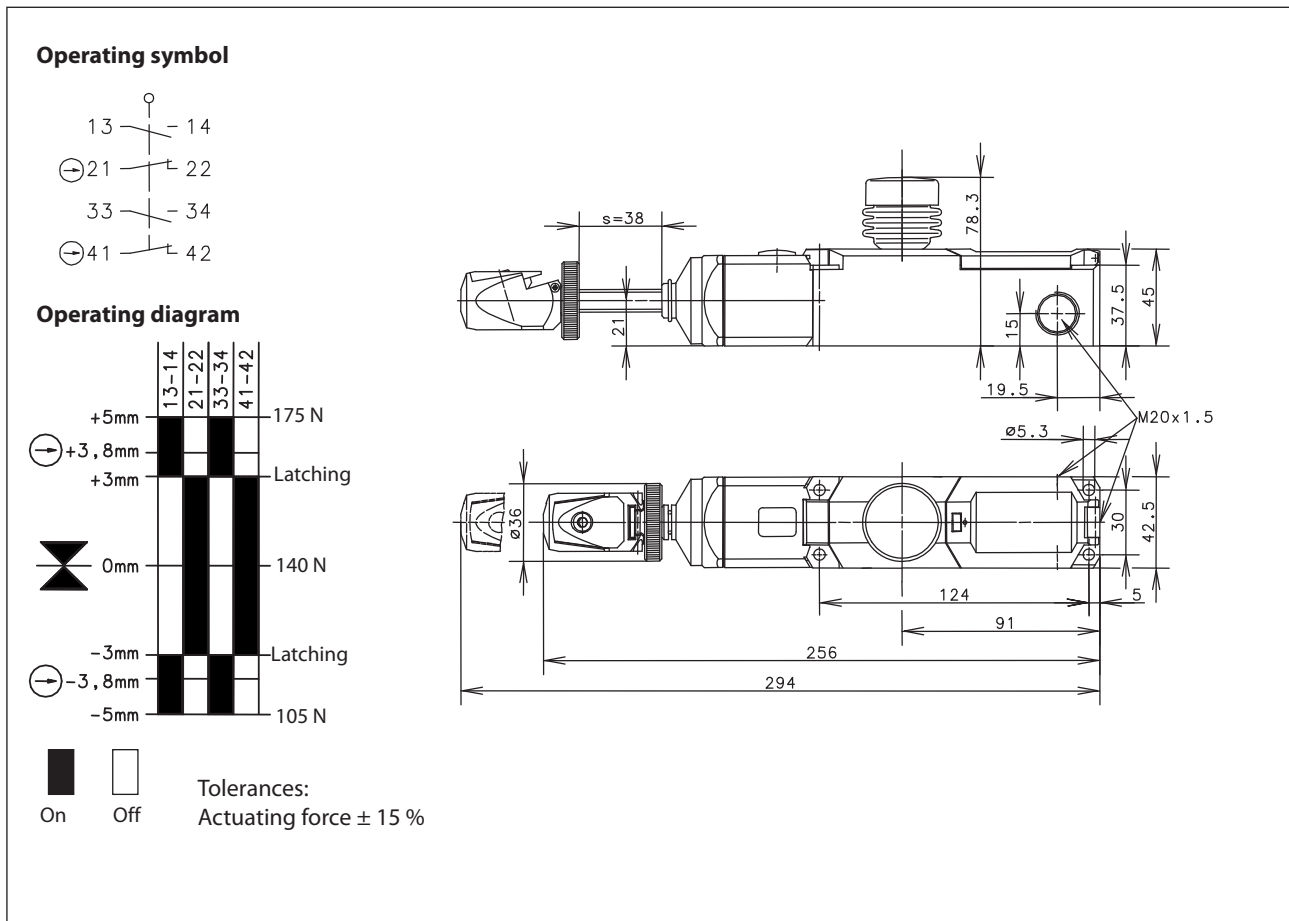


# Rope pull switch Series SR

Description **SR-U2Z-QF 175**

Article number **6011629024**



Electrical data		
Rated insulation voltage	$U_i$	250 V AC
Rated impulse withstand voltage	$U_{imp}$	2,5 KV
Conv. thermal current	$I_{the}$	10 A
Rated operational voltage	$U_e$	240 V
Utilization category		AC-15, $U_e / I_e$ 240 V / 3 A
Direct opening action	$\rightarrow$	acc. to IEC/EN 60947-5-1, Annex K
Short-circuit protective device		Fuse 6 A gG
Protection class		II, totally insulated

Mechanical data	
Enclosure	PA 6 GV (UL94-V0)
Cover	PA 6 GV (UL94-V0)
Actuator	zinc die casting / steel
Latching device	acc. to IEC 60947-5-5, DIN EN 60947-5-5, ISO 13850 (DIN EN 418)
Reset facility	pulling blue button
Ambient air temperature	-25 °C ... +70 °C
Contact type	2 NC, 2 NO (Zb)
Mechanical life	acc. to IEC 60947-5-5
Rope length	≤ 37,5 m
Rope Ø	D = Ø 2 - 5 mm
Switching frequency	≤ 20 / min.
Assembly	4 x M5
Connection	8 x cage clamp max. 1,5 mm <sup>2</sup> flex
Cable entrance	3 x M20 x1,5
Weight	≈ 0,65 kg
Installation position	operator definable
Protection type	IP67 acc. to IEC/EN 60529

Standards	
	VDE 0660 T100, DIN EN 60947-1, IEC 60947-1
	VDE 0660 T200, DIN EN 60947-5-1, IEC 60947-5-1
	VDE 0660 T210, DIN EN 60947-5-5, IEC 60947-5-5
	ISO 13850

EU Conformity	
	acc. to directive 2006/95/EC

Approvals	
	BG
	CSA <sub>US</sub> A300 (same polarity)

Notes	
The degree of protection (IP code) specified applies solely to a property closed cover and the use of an equivalent cable gland with adequate cable.	
Rope with accessories is available on demand.	