



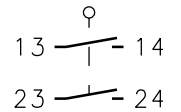
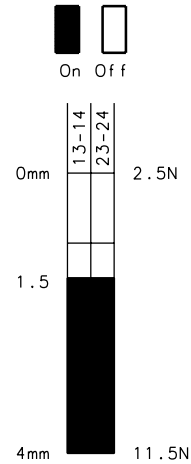
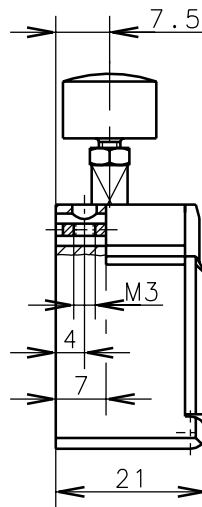
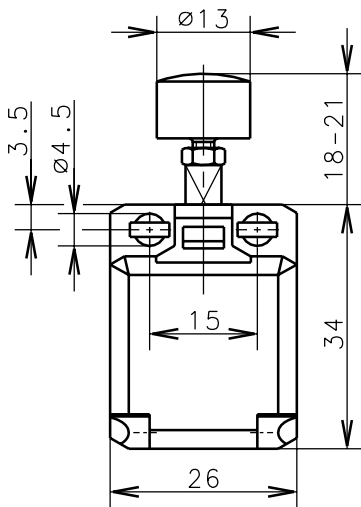
**Bernstein**

Bernstein AG  
Postfach 1164  
D-32437 Porta Westfalica

# Technical data sheet

C2-E2 K

600.8807.023



Switching diagram

Switching symbol

Tolerance: operating point  $\pm 0.25\text{mm}$ ; actuating force  $\pm 10\%$

### Mechanical features

Enclosure: PBT, glass fibre reinforced  
Cover: PC, black  
Actuator: Button (Thermoplast)

Ambient air temperature:  $-30^{\circ}\text{C}$  up to  $+80^{\circ}\text{C}$   
Contact type: 2 NO-contacts (Zb)

Mechanical life:  $3 \times 10^6$  switch operations  
Switch frequency: max. 100/min  
Mounting: from the top 2xM4, from the front 2xM3  
Connection type: 4 screw connections (M3.5)  
Conductor cross-section: single core  $0.5\text{-}1.5\text{mm}^2$ /litz wire with connector sleeve  $0.5\text{-}1.5\text{mm}^2$   
Cable entry size: rectangle  $8.5 \times 3.5\text{mm}$   
Weight: approx. 0,02kg

### Electrical features

Rated insulation voltage:  $U_i = 250\text{ V AC}$   
Conventional thermal current:  $I_{the} = 10\text{A}$   
Max. inrush current: according to IEC 60947-5-1  
Utilization categorie: AC 15, A300 240V/3A, 120V/6A / DC 13, Q300 250V/0.27A, 125V/0.55A  
Standards: according to EN 60947-1; EN 60947-5-1  
Protection class: IP30 according to EN 60529; DIN VDE 0470 T1  
CSA/UL: 10A 300V AC, A300  
Short circuit protection: Fuse 6A gL/gG, IEC/EN 60947-5-1

### Approach possibilities

The push bolt actuator is mainly intended to be actuated along it's axis. Side actuation will considerably reduce switch life.

### Remarks

The moving parts should be oiled periodically.

Schutzvermerk nach DIN 34 beachten  
Copyright reserved

23.10.01