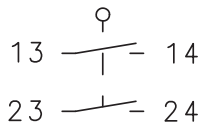


Mechanical switching device Series C14

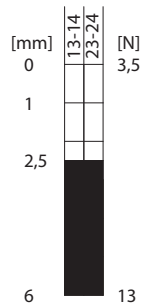
Description **C14-EB-E2 KIT**


Article number **6005801153**

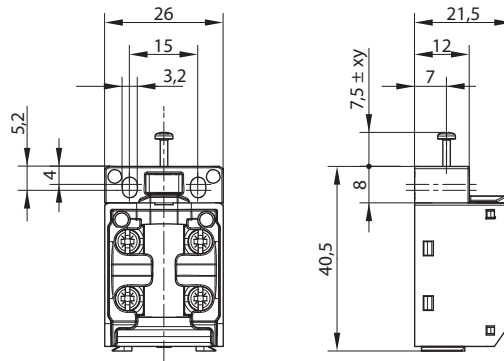
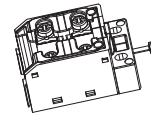
Operating symbol



Operating diagram



  Tolerance - operating diagram:
 Operating points $\pm 0,25$ mm
 Process forces ± 10 %



Electrical Data acc. IEC/EN 60947-5-1

Rated insulation voltage	U_i	400 V
Rated impulse withstand voltage	U_{imp}	4 kV
Rated operational voltage	U_e	240 V AC / 24 V DC
Rated supply frequency AC		50 / 60 Hz
Overvoltage category		II acc. EN 60947-1 annex H table H1
Conventional enclosed thermal current	I_{the}	5 A
Minimum current		1 mA
Reliability		acc. EN 60947-5-4 @ 24 V DC, 10 mA, 1 mA, U_{kd} 2,4 V DC
Utilization category and rated values		AC-15, U_e/I_e 240 V / 1,5 A DC-13, U_e/I_e 24 V / 1,5 A (B300 table A.1)
Short-circuit protective device		Fuse 4 A gG
Rated conditional short-circuit current		400 A
Max. contact resistance		25 mOhm (unused)
Electrical life		on request

Mechanical data		
Enclosure		Thermoplastic, glass fibre reinforced (UL 94-V0)
Fastening		Locking connection with switches of the BERNSTEIN AG; cylinder head screw M3, head diameter max. 5.5 mm, tightening torque 70 Ncm ±10 %
Actuator		Plunger (Thermoplastic, glass fibre reinforced (UL 94-V0))
Min. actuating force	F_{bmin}	14 N
Max. force at stroke end	F_{bmax}	30 N
Operating temperature		-30 °C ... +75 °C
Storage temperature		-40 °C ... +80 °C
Protection type		IP00 acc. EN 60529
Pollution degree		3
Contact material		silver
Device class		Category E (MC3 + CC2 + SC1) acc. EN 60947-1 annex Q
Contact type		2 N.O.
Operating rate	V	$0,06 \text{ m/min} \leq V \leq 30 \text{ m/min}$
Bounce duration	ms	< 3 ms
Switchover time	ms	< 8 ms
Switching frequency		$\leq 100 / \text{min.}$
Mechanical life		10×10^6 operating cycles
Mission time		20 years
Connection		4 screw connections (M3)
Conductor cross-sections		Solid or Litz wire with ferrules $0,34 \text{ mm}^2 - 1,5 \text{ mm}^2$; AWG 22 - 16
Weight		≈ 0,02 kg
Installation position		operator definable

Actuation
The push bolt actuator is mainly intended to be actuated along its axis.

Standards
VDE 0660 T100, DIN EN 60947-1, IEC 60947-1
VDE 0660 T200, DIN EN 60947-5-1, IEC 60947-5-1
VDE 0470 T1 (09.00), DIN EN 60529
UL 60947-1, CAN/CSA-22.2 No. 60947-1-13
UL 60947-5-1, CAN/CSA-C22.2 No. 60947-5-1-14

EU Conformity
acc. to directive 2014/35/EU (Low-Voltage-Directive)

Approvals
UR _{US} (Mechanical switching device without protection type)
CCC

Notes
Because of the open construction of the device there is no special protection against ingesting of water and touching parts under voltage.