



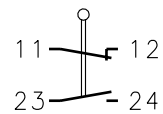
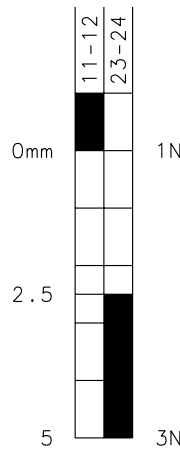
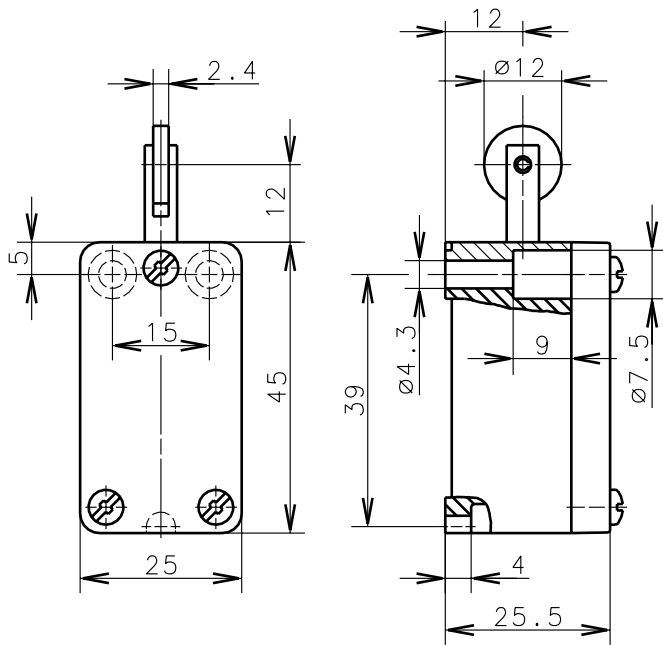
Bernstein

Bernstein AG
Postfach 1164
D-32437 Porta Westfalica

Technical data sheet

P-U1 R 90°

600.2116.103



Switching diagram

Switching symbol

Tolerance: Operating point $\pm 0.25\text{mm}$; actuating force $\pm 10\%$

Mechanical features

Enclosure: Thermoplast, glass fibre reinforced
Cover: PC clear
Actuator: Roller (st)

Ambient air temperature: -30°C up to $+80^\circ\text{C}$
Contact type: 1 NC-contact, 1 NO-contact

Mechanical life: 3×10^6 switch operations
Switch frequency: max. 100/min
Mounting: 3 x M4
Connection type: 4 screw connections (M3)
Cable entry size: Support sleeve
Weight: approx. 0,05kg

Electrical features

Max. voltage: 400V AC
Max. enduring current: I_{the} 6A
Max. inrush current: accord. to IEC 60947-5-1, AC 15, DC 13
Standards: accord. to EN 60947-1; EN 60947-5-1
Protection class: IP30 according to EN 60529; DIN VDE 0470 T1
Short circuit protection: 6A slow-acting, 10A quick-acting

Approach possibilities

The push bolt actuator is mainly intended to be actuated along it's axis. Side actuation will considerably reduce switch life.

Remarks

The moving parts should be oiled periodically.