

# Technical Data

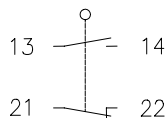
## Plastic bodied limit switch

### Series C

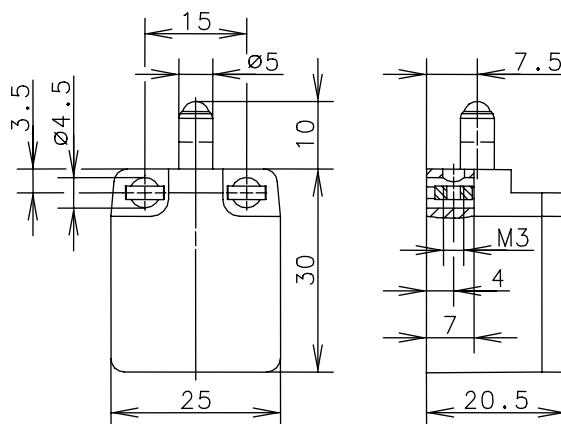
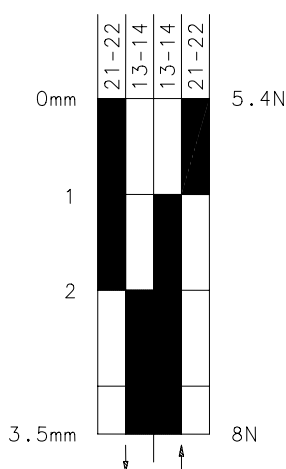
Description **C-SU1**



Article number **6001151027**

#### Operating symbol



#### Operating diagram



  Tolerance:  
 Operating point  $\pm 0,25$  mm;  
 On Off Actuating force:  $\pm 10$  %

#### Electrical data

Rated insulation voltage	$U_i$	250 VAC
Conv. thermal current	$I_{the}$	6 A
Rated operational voltage	$U_e$	240 V
Utilization category		AC-15, $U_e/I_e$ 240 V / 3 A
Short-circuit protective device		Fuse 6 A gL/gG

This document will not become the contractual basis; the details included herein do not constitute any descriptions of expected conditions, so that warranties/claims for defects on account of possible variations of the actual qualities from the qualities described herein are explicitly excluded. All rights reserved. Specifications subject to change without notice!

# Technical Data

## Plastic bodied limit switch

### Mechanical data

Enclosure	PA, glass fibre reinforced
Cover	PC, crystal clear
Actuator	Push bolt (st)
Ambient air temperature	-30 °C ... +80 °C
Contact type	1 NC, 1 NO
Mechanical life	3 x 10 <sup>6</sup> switching cycles
Switching frequency	≤ 100/min
Assembly	From the top 2 x M4, from the front 2 x M3
Connection	4 screw connections (M3)
Conductor cross-sections	Solid: 0,5 ... 1,5 mm <sup>2</sup> Litz wire with ferrules: 0,5 ... 1,5 mm <sup>2</sup>
Cable entrance	Rectangle 8 x 2 mm and 5 x 5 mm
Weight	≈ 0,03 kg
Installation position	Operator definable
Protection type	IP20 acc. to EN 60529; DIN VDE 0470 T1 IP30 will be reached when all contacts are connected with outer wire diameter ≥ 2 mm

### Actuation

The push bolt actuator is mainly intended to be actuated along its axis.  
Side actuation will considerably reduce switch life.  
The switch may not be used as a mechanical stop.

### Standards

VDE 0660 T100, DIN EN 60947-1, IEC 60947-1  
VDE 0660 T200, DIN EN 60947-5-1, IEC 60947-5-1

### EU Conformity



### Notes

The degree of protection (IP code) specified above applies solely when the cover is closed properly.