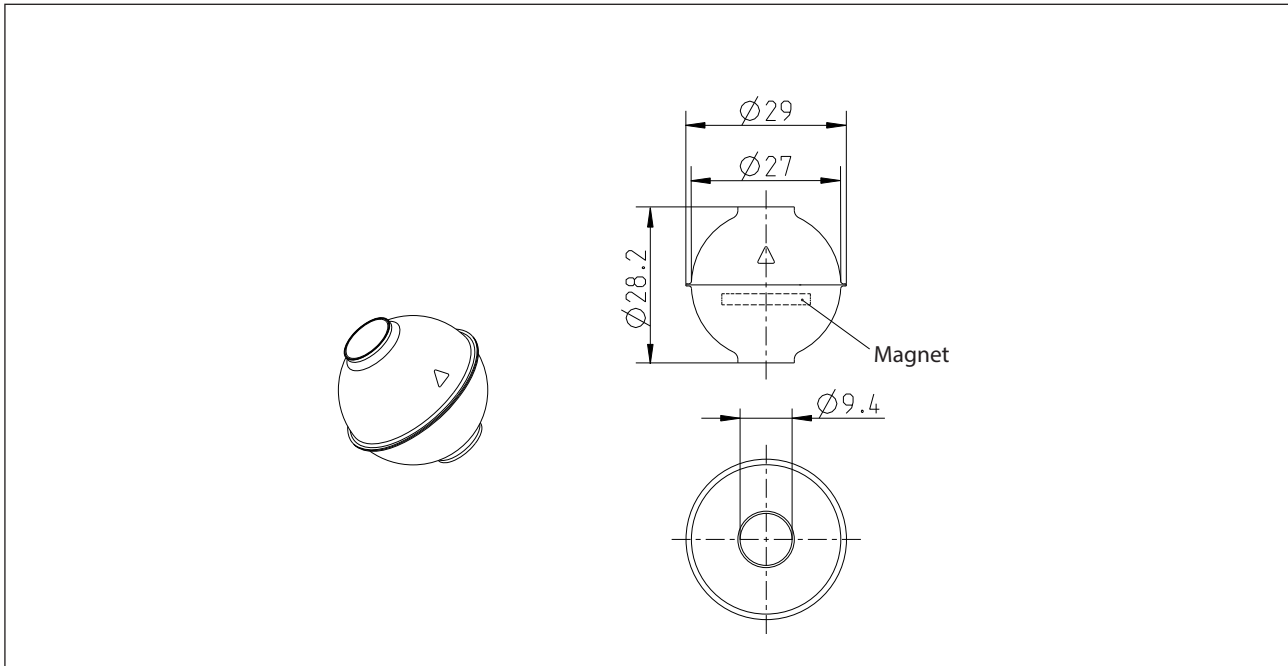


## Accessories

### Float

Description **SCHW-KUG.KPL.RD30**

Article number **4942109059**



#### Technical data

Float material	X6CrNiMoTi17-12-2 (1.4571)	
- density	about 0,65 g/cm <sup>3</sup> ±10 %	
- depth of immersion	18 mm ± 2 mm ( to a fluid-density of 1 g/cm <sup>3</sup> )	
Surface	electrolytic polished (R <sub>a</sub> ≤ 0,8)	
Magnetic material	Hartferrit 24/23 acc. to DIN IEC 60408-8-1	
Magnetic remanence	Br	360-380 mT
Coercivity of the magnetic flux density	HcB	≥ 215 kA/m
Coercivity of the magnetic polarization	HcJ	≥ 230 kA/m
Temperature range	-10 °C ... +130 °C	
Max. pressure	10 bar	