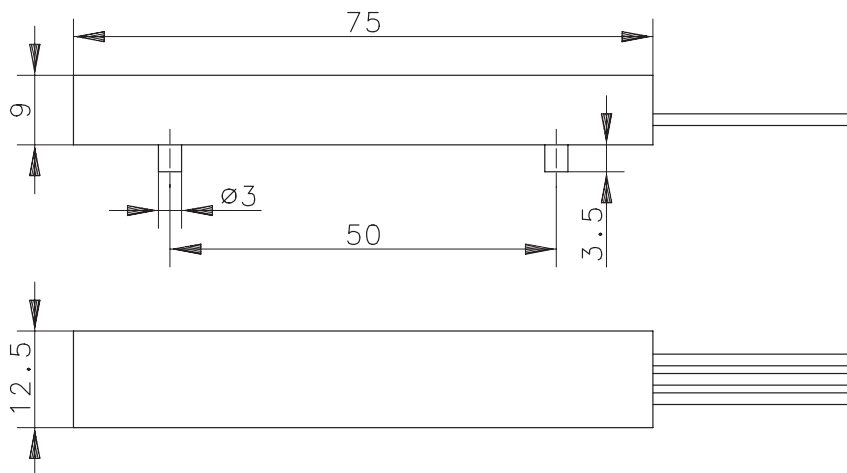
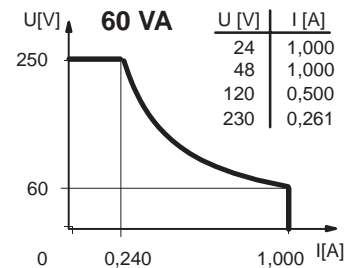
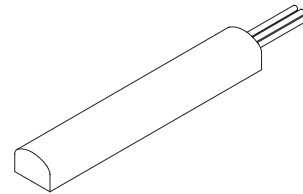
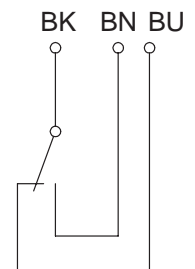


Type: **Switching module**Art-No.: **491.0007.074**Date: **25.05.1999/2068****Performance diagram**
(maximum data)**Technical Data** (maximum data) :

Max. Voltage : 250 V
 Max. Switch current : 1.0 A
 Max. Switching : 60 VA
 Direction category : AC-21A and DC-21A
 acc. to DIN VDE 0660 T107,
 IEC 947-3-1, EN 60947-3-1

**Wiring diagramme**

**Pay attention to the contact protection, when switching inductive loads.
 Maximum data must not be exceeded !**

Protection type : IP 65 acc. to DIN VDE 0470 T1,
 IEC 529, EN 60529
 Switching function : 1 bistable change-over contact,
 falling level (wire on top)
 Temperature range : from -5°C to +100°C
 mech. Lifetime : 10⁷ to 10⁹ switches depending on the load

Reproducibility is ±0.05mm under same geometrical conditions according to one switch device.

Mechanical Data :

Housing : PA
 Mode of connection : 2.1m PVC-wire 3x0.25mm²
 Standard : acc. to DIN VDE 0660 T200,
 IEC 947-5-1, EN 60947-5-1

The switching contacts have to be operated onetime before starting with regular use.

Matching floats : Art.-No.: 494.5216.039 Ø52x55, PVC